



# AN-3100D-LC Annunciator

FOR POWER GENERATION, TRANSMISSION & DISTRIBUTION, PETROLEUM, PETROCHEMICAL, AND OTHER PROCESS INDUSTRIES



## ANNUNCIATOR

The AN-3100D-LC is an economical LED Display for remote annunciator applications. The display can be connected to other annunciator logic systems or can be directly connected to a PLC or DCS System.

### Compact Size

The annunciator and all electronics are self contained within a compact frame less than 7" deep.

### Reliability

Every AN-3100D-LC Annunciator is equipped with low power, long life LED's. The brightness exceeds standard incandescent bulbs and they last years longer.

### Flexible Design

The window legends are printed on standard transparency film, making it easy to change legends at any time

## FEATURES AND BENEFITS

- LED Illumination
- Laser Printed Legends
- Compact Size
- Screw Terminal Barrier Block



### AN3100D-LC Ordering Information

TYPICAL MODEL NUMBER (coded by color)

AN3100D-LC -PM -3H -6W -NPB -2 -36 -W -TP

#### Code Description

AN3100D-LC AN3100D-LC Alarm Annunciator

#### Mounting Options

- PM Semi-Flush Panel Mounting
- PC Semi-Flush Panel Mounting with Rear Cover
- RK 19" Rack Mounting (5 Wide Systems Only)
- S Surface (Wall) Mounting (1H to 5H x 2W to 5W)

#### Number of Cells High – (1-13 H)

#### Number of Cells Wide – (1-13 W)

#### Pushbutton Controls

- INTB Integral Test Pushbutton
- NPB No Integral Pushbutton

#### Window Size

- 4 Quad Size, 4 Inputs Per Cell, Each 1.5"H x 1.5"W
- 3 Third Size, 3 Inputs Per Cell, Each 1.0"H x 3.0"W
- 2 Half Size, 2 Inputs Per Cell, Each 1.5"H x 3.0"W
- 1 Full Size, 1 Input Per Cell, Each 3.0"H x 3.0"W
- IMW Intermixed Window Size (Must Include Matrix)

#### Number of Active Alarm Points

#### Window Colors

- W White Window Filter
- R Red Window Filter
- A Amber Window Filter
- G Green Window Filter
- B Blue Window Filter
- IMC Intermix Color

#### Window Legends

- TP Legends Printed on Transparency Film (Field Changeable)
- ENG Legends Are Engraved on the Window Frames



## SPECIFICATIONS

### INPUT

Field Contacts, Switched Inputs  
Voltage: 24 VDC

Current Requirements per Input:

Window Size (inputs/cell)	# of LED's (per Input)	Switched Current @24VDC
1	8	0.163 A
2	4	0.082 A
3	2	0.041 A
4	2	0.041 A

### CONTROLS

Lamp Test  
Voltage: 24 VDC

### DISPLAY

#### LED

- White LED, minimum two per Window

#### Window Sizes

- Quad: 1.5"h x 1.5"w (38 x 38mm)
- Third: 1.0"h x 3.0"w (25 x 76mm)
- Half: 1.5"h x 3.0"w (38 x 76mm)
- Full: 3.0"h x 3.0"w (76 x 76mm)

#### Window Color

- White, red, amber, yellow, green, and blue

### Legends

- Laser printed on transparency film or engraved windows

### CONNECTIONS

#### Input/Output Terminals

- Fixed barrier terminal block, 12 GA (2.5mm) maximum, ring, spade or bare wire termination

### MECHANICAL

#### Mounting

- Semi-flush panel mounting
- 19" rack mounting
- Wall (surface) mounting

#### Weight

- 1.5 lbs per cell (0.34 kg per cell)

### ENVIRONMENT

#### Operating Temperature Range:

- -4 to 122°F (-20 to 50°C)

#### Humidity:

- 20-95% RH

#### Isolation:

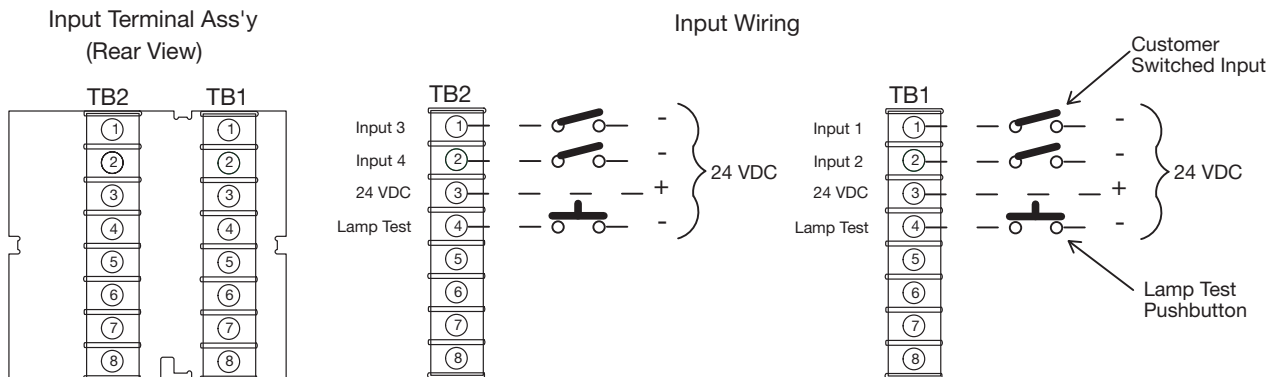
- 1950 VDC or 1400 VAC input to case

### Panel Mounting Details inches (mm)

Cells H or W	Overall H or W	Panel Cut-Out H or W
1	5.0 (127)	4.06 (103)
2	8.47 (215)	7.53 (191)
3	11.94 (303)	11.00 (279)
4	15.40 (391)	14.47 (368)
5	18.88 (479)	17.94 (456)
6	22.34 (568)	21.41 (544)
7	25.81 (656)	24.88 (632)
8	29.28 (744)	28.34 (720)
9	32.75 (832)	31.81 (808)
10	36.22 (920)	35.28 (896)
11	39.69 (1008)	38.75 (984)
12	43.16 (1096)	42.22 (1072)
13	46.63 (1184)	45.69 (1161)
Depth behind panel: 6.75", 10" with rear cover		

Example: 2 H x 3 W has a cut-out height of 7.53 (191) and a cut-out width of 11.0 (279)

### WIRING DIAGRAM



#### WORLD HEADQUARTERS

255 North Union Street  
Rochester, NY 14605  
Toll Free: +1.800.950.6686  
Tel: +585.263.7700  
Fax: +585.454.7805

#### EUROPEAN HEADQUARTERS

UK  
+44.770.280.9377  
power.sales@ametek.com

#### ASIA PACIFIC HEADQUARTERS

Singapore  
+65.6484.2388  
sales@ametekasia.com

#### AMETEK INSTRUMENTS INDIA PVT. LTD.

Bengaluru  
+91.80.6782.3252  
power.sales@ametek.com

#### WEBSITE

www.ametekpower.com

#### EMAIL

pi.marketing@ametek.com

