



# Model 910 Annunciator

FOR PETROLEUM, PETROCHEMICAL, POWER GENERATION AND OTHER  
PROCESS INDUSTRIES



## ANNUNCIATOR

AMETEK's Model 910 self-contained 10-alarm point annunciator is commonly used throughout the process industry. Ten alarm points of dedicated annunciation at its best! This annunciator accepts ten dry or ten 120 VAC wetted field contact inputs. Select from flush panel mounting or wall mounting type hardware to fit your physical installation requirements. On board field selectable jumpers allow the user to select from seven ISA alarm sequences. Specify the primary source voltage to the system along with the field contact voltage, integral or remote horn, flush panel or wall mounting style and you have successfully configured the best 10-point annunciator in the world, AMETEK's Model 910.

AMETEK's Model 910 annunciator can be found providing dedicated annunciation in many of the world's petrochemical and petroleum manufacturers plants as part of the alarm and safety shutdown systems. The unit is ideal for mounting in the field at a local process and sending a "local process alarm" signal to the control room.

Safety and swift alarm notification to an operator are important to the owners and operators of all process plants in all industries. Power generating plants, power distribution substations, pharmaceutical, paper and pulp, food processing and packaging, water treatment, water distribution, gas distribution, mass transportation, weapons manufacturing, automotive vehicle and parts manufacturing facilities all need reliable monitoring of their process variables through the dedicated annunciation provided by AMETEK's self-contained Model 910 annunciator!



## FEATURES AND BENEFITS

- Provides dedicated annunciation
- Completely self-contained
- UL Listed 2017
- Approved for use in Class 1 Div, 2 applications
- Long life LED illumination
- Seven field selectable ISA sequences
- Flush panel or wall mount cabinets
- Horn relay and reflash relay contact output
- Integral or remote mounted horn

**AMETEK**<sup>®</sup>

**POWER  
INSTRUMENTS**

*Experience the Power™*

# SPECIFICATIONS

## Input Power Source

- 120 VAC, 220 VAC, 125 VDC or 24 VDC

## Legends

- Field replaceable paper card behind clear plastic

## Illumination

- Red LED

## Field Termination

- 14 AWG solid or stranded wire

## Cabinet

- 16 gauge steel painted black

## Agency Approvals

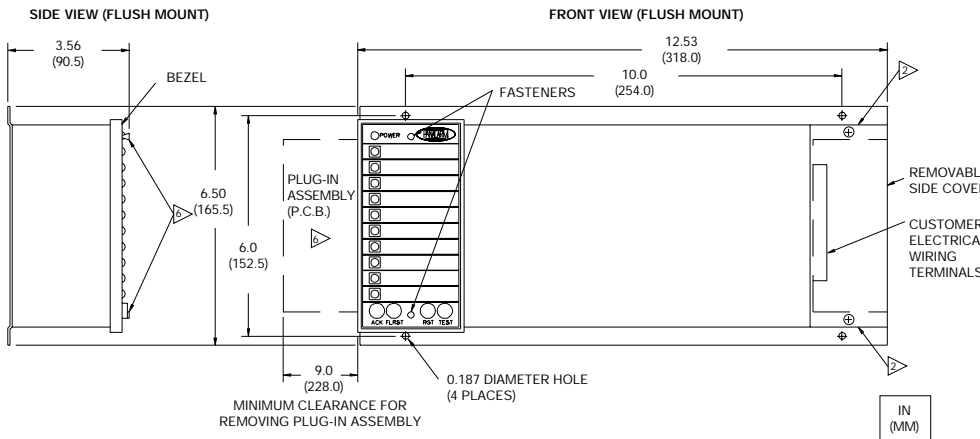
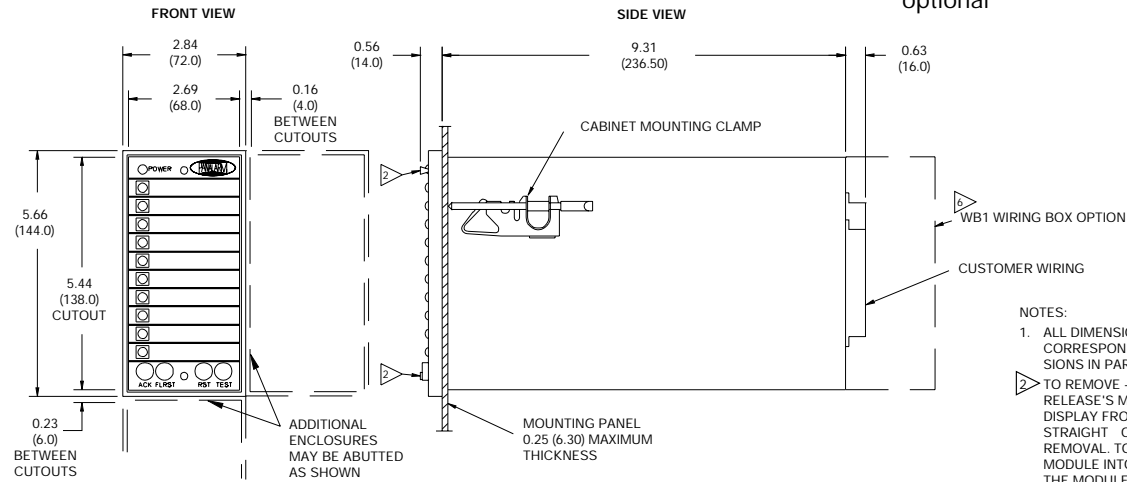
- UL 2017 General Purpose Signaling Devices and Systems
- FM Approved Class 1 Div. 2, Groups A, B, C & D

## EMC Compliance

- ANSI/IEEE C37.90-1978 (SWC)
- SAMA PMC 33.1-1978, Class 2, Bands b & c (RFI)

## Environmental

- Storage: -40° to 185°F (-40° to 85°C)
- Operating: 32° to 122°F (0° to 50°C)
- Humidity: 10 to 95% RH (non-condensing)
- NEMA 4 and 4X enclosures optional



### NOTES:

1. ALL DIMENSIONS ARE IN INCHES WITH CORRESPONDING MILLIMETER DIMENSIONS IN PARENTHESES.
  2. TO REMOVE - PULL ON FASTENERS. THIS RELEASES THE MODULE AND FRONT DISPLAY FROM CABINET, PULL STRAIGHT OUT TO COMPLETE REMOVAL. TO REPLACE - SLIDE MODULE INTO CABINET, PRESS ON THE MODULE FRONT PLATE (NOT FASTENERS) TO SEAT MODULE INTO CONNECTORS, THEN PUSH ON FASTENERS TO SECURE MODULE.
  3. TERMINAL BLOCKS ARE WIRED FROM REAR.
  4. INDIVIDUAL POINT WINDOWS SIZES ARE 0.39 (10.0) X 2.09 (53.0) WIDE. THIS ALLOWS 2 ROWS OF 22 CHARACTERS PER ROW USING STANDARD 12 PITCH TYPEWRITER TYPE, 0.12 INCH HIGH CHARACTERS).
  5. WINDOW LEGEND PAPER IS ACCESSIBLE BY REMOVING FRONT MODULE.
  6. TWO CONDUIT OPENINGS, ONE AT TOP AND ONE AT BOTTOM FOR ONE INCH CONDUIT FITTINGS.
- FOR FLUSH MOUNT**
2. TWO CONDUIT OPENINGS, ONE AT TOP AND ONE AT BOTTOM FOR ONE INCH CONDUIT FITTINGS.
  6. REMOVE PLUG-IN ASSEMBLY AS FOLLOWS:
    - A. PULL FRONT DISPLAY STRAIGHT OUT USING THE FASTENERS.
    - B. GRASP TOP AND BOTTOM OF BEZEL ASSEMBLY AND PULL STRAIGHT OUT.
    - C. PULL PLUG-IN ASSEMBLY OUT FROM LEFT SIDE OF ENCLOSURE
- TO REPLACE, REVERSE ABOVE PROCEDURE EXCEPT WHEN REINSTALLING FRONT DISPLAY, PRESS ON THE FRONT PLATE (NOT FASTENERS) TO SEAT DISPLAY INTO CONNECTOR, THEN PUSH IN ON FASTENERS



### WORLD HEADQUARTERS

255 North Union Street  
Rochester, NY 14605  
Toll Free: +1.800.950.6686  
Tel: +585.263.7700  
Fax: +585.454.7805

### EUROPEAN HEADQUARTERS

UK  
+44.770.280.9377  
power.sales@ametek.com

### ASIA PACIFIC HEADQUARTERS

Singapore  
+65.6484.2388  
sales@ametekasia.com

### AMETEK INSTRUMENTS INDIA PVT. LTD.

Bengaluru  
+91.80.6782.3252  
power.sales@ametek.com

### WEBSITE

www.ametekpower.com

### EMAIL

pi.marketing@ametek.com

