



# Model NT2

FOR PETROLEUM, PETROCHEMICAL, POWER GENERATION AND OTHER PROCESS INDUSTRIES



## HORN

AMETEK's Model NT2 horn is a device that is suitable for either flush panel or wall mounting applications. It has a decibel output of 88 dB @ 10 ft. It also provides the user a choice of 16 different field selectable tones. The horn is available in four models NT2-12D, NT2-24D, NT2-120A and NT2-230A. The horns are commonly used as the audible device associated with one of AMETEK's annunciator systems.

While the NT2 is most commonly used in conjunction with an AMETEK annunciator, it does not have to be. It can be used with any manufacturer brand. It does not even have to be used with an annunciator. A DCS, PLC, SCADA system, fire alarm system, security system, etc. can trigger this horn – virtually any device that has a dry contact output.

It is ideal for use in a PLC controlled manufacturing environment that has multiple assembly lines running side by side. Multiple horns with different tones can be used to identify a specific line that is experiencing a problem. Examples relating to the food and beverage industry would be the canning, bottling or boxing line. In the pharmaceutical industry it may be the fill and label line. Every multi-assembly line plant has the need for this audible device.

Another classic example of multiple NT2 horn use is in the main control room of a power generation station. It is very common to have control systems for different generating units within the same control room. The NT2 is perfect for this application with its ability to provide a distinct tone allowing the control room operator to immediately identify in which unit the warning has occurred. It also has a volume adjustment so the dB output of the horn can be set for comfortable level within the confined area.

In a petrochemical or petroleum refining plant where the alarm and shutdown systems are totally independent, the NT2 horn has an obvious use. Two horns each dedicated to one set of alarms, each with a different output tone makes perfect sense. By virtue of the distinct tone process operator knows immediately on which system the alarm has occurred.



## FEATURES AND BENEFITS

- 16 field selectable tones
- Volume control
- 4 voltages to choose from
- Flush panel or wall mount
- Suitable for NEMA 4 and 4X applications

**AMETEK**<sup>®</sup>

**POWER  
INSTRUMENTS**

*Experience the Power™*

## SPECIFICATIONS

### Input Power Source

- 120 VAC, 230 VAC, 12 VDC or 24 VDC

### Field Termination

- 14 – 22 gauge wire

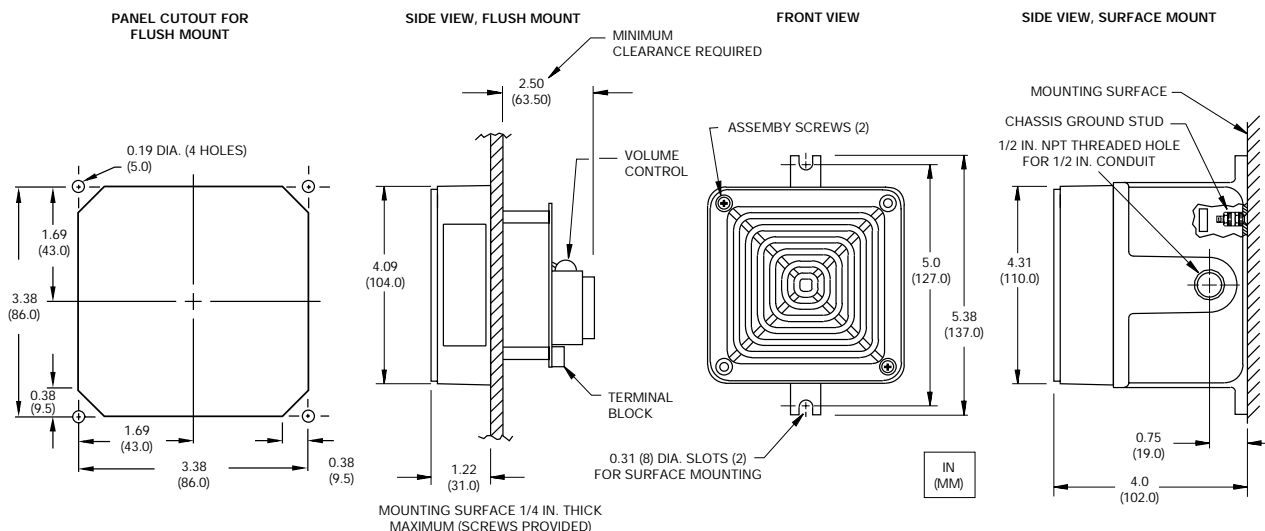
### Wall Mounting

- Cast aluminum wirebox

### Environmental

- Storage: -40° to 185°F (-40° to 85°C)
- Operating: 32° to 122°F (0° to 50°C)
- Humidity: 10 to 95% RH (non-condensing)
- NEMA 12, 4 and 4X enclosures optional

NT2 ELECTRONIC AUDIBLE								
TONE DESCRIPTION	DIP SWITCH SETTING ( ● = ON POSITION)							
	SW1	SW2	SW3	SW4	SW5	SW6	SW7	SW8
1. STEADY HI								
2. STEADY LO								●
3. HI/LO-HI			●			●		
4. HI/LO-LO			●			●		●
5. FAST HI/LO-HI					●	●		
6. FAST HI/LO-LO					●	●		●
7. BUZZ HI	●				●		●	
8. BUZZ LO	●				●		●	●
9. FAST CHIRP	●			●	●		●	●
10. FAST WARBLE HI	●			●			●	
11. FAST WARBLE LO	●			●			●	●
12. SIREN/HI-LO			●	●		●	●	●
13. FAST SIREN				●			●	●
14. SIREN LO		●					●	●
15. SIREN HI		●					●	
16. INT. WAIL	●	●					●	●



For customer support call:

#### POWER INSTRUMENTS

1725 Western Drive  
 West Chicago, IL 60185  
 Tel: 630.231.5900  
 Fax: 630.231.4502  
 power.industrial@ametek.com

#### HEADQUARTERS

AMETEK Power Instruments  
 50 Fordham Road  
 Wilmington, MA 01887  
 Tel: 978.988.4903  
 Fax: 978.988.4990  
 power.industrial@ametek.com

#### EUROPEAN HEADQUARTERS

Unit 20, Ridgeway  
 Donibristle Industrial Estate  
 Dalgety Bay, Dunfermline, KY119JN  
 Scotland U.K.  
 Tel: 44.1383.825630  
 Fax: 44.1383.825715  
 sales@ametekuk.com

#### ASIA PACIFIC HEADQUARTERS

10 Ang Mo Kio Street 65  
 #05-12 Techpoint  
 Singapore 569059  
 Tel: 65.484.2388  
 Fax: 65.481.6588



ISO 9001 Certified