



LPA-2

FOR POWER LINE CARRIER COMMUNICATIONS



PLC 50/100W AMPLIFIERS

The LPA-2 is the next generation high-power amplifier for Power Line Carrier Communications and adds features and efficiency superior to all previous designs using latest technology. It offers flexibility plus user-friendliness on its input and output such that it can be used with any power line carrier system. Two 50W units can be combined for a 100W output and to provide redundancy.

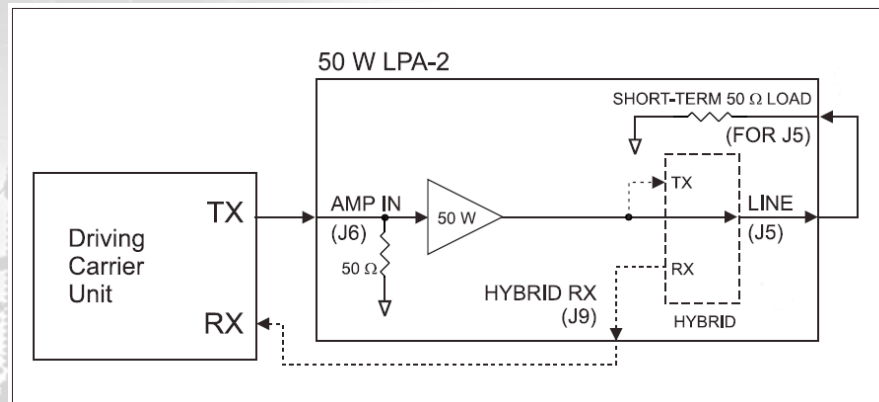


Although primarily used in applications where the attenuation from end-to-end is higher than the normal 10W amplifier can handle or where the line noise is high, the LPA-2 can also be used in normal applications to boost system dependability by significantly improving the possibility of the PLC signal not being lost during a high noise event.

Modern design makes the LPA-2 able to protect itself against shorts or open circuits on its coax cable output as well as against being overdriven on its input. Once any problem is removed it will automatically recover without damage to the unit.

FEATURES AND BENEFITS

- Space saving 2-RU 50W design/4-RU 100W design (no fans)
- Improved efficiency for lower heat
- Automatic overload protection/reliable robust design
- Self-monitoring plus convenient front LED status, adjustor, and test points
- Optional built-in skewed hybrid
- Standard 50Ω short-term 100W load built-in for testing



Typical connection diagram of one terminal of a PLC system with a 50W LPA-2 inserted to boost the transmit power & the internal 50 Ω load temporarily connected to its Line Output for setting the TX power level. (Optional Hybrid shown in dotted lines.)

SPECIFICATIONS

Specification	Value
Frequency Bandwidth	30 kHz–535 kHz
Input Impedance	Settable 50 Ω (normal setting) or 5k Ω
Output Impedance	50 Ω
Maximum RF Power Input	10 W (+40 dBm or 22.4 V, 50 Ω reference)
Recommended RF Power Input	5 W (+37 dBm or 15.8 V, 50 Ω reference)
Minimum RF Power Input (to get 50 W output)	2 W (+33 dBm or 10 V, 50 Ω reference)
Maximum Power Output	50 W continuous single frequency into 50 Ω load (+47 dBm or 50 V, 50 Ω reference) *
Harmonic & Spurious Noise Output	50 dB below 50 W fundamental *
Standard Compliance	Meets relevant specifications: IEEE C93.5 & IEEE 1613
Alarm Relay Contact Rating	15 ms max operate time, 1 A max make/carry, 0.25 A max interrupt at 250 Vdc
50Ω Dummy Load (Testing & Setup)	80 W Continuous, 100 W for 2 Minute
Ambient Temperature Range	-20 to 60° C

* 50W is replaced by 100W (+50 dBm) when two units are combined to give 100W output with a built-in combiner board inside one of the two units. Inputs of the 2 units are paralleled in this case with one set for 50 Ω and the other for 5K Ω input impedance.



For Customer Support

AMETEK Power – Pulsar
4050 NW 121st Avenue
Coral Springs, FL 33065
Tel: +1 800 785 7274
Fax: +1 954 340 6676
sales.pulsar@ametek.com

European Headquarters

Unit 21, Suite 6, Ridgeway
Dunfermline
Fife, United Kingdom KY11 9JN
Sales: +44 (0) 7702 809377
Fax: +44 (0) 1383 825715
power.sales-europe@ametek.com

Asia Pacific Headquarters

No. 43 Changi South Avenue 2
#04-01
Singapore 486164
Tel: +65 6484 2388
Fax: +65 6481 6588
power.sales-asia@ametek.com

AMETEK Instruments India Pvt. Ltd.

Divyasree NR Enclave, 4th Floor, Block A
Plot No. 1, EPIP Industrial Area
Whitefield, Bengaluru 560 066
Tel: +91 80 67823200
Fax: +91 80 67823232
power.sales-india@ametek.com

