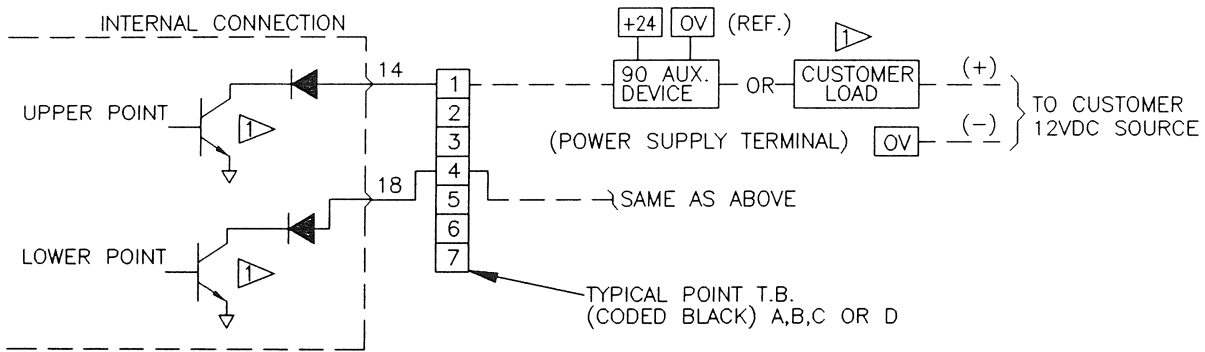


WIRING DIAGRAM



OPERATIONAL DESCRIPTION

OPTION CODE	INPUT STATUS	CONTACT STATUS	DESCRIPTION	OPTION CODE	LAMP STATUS	CONTACT STATUS	DESCRIPTION
1EE	NORMAL	OFF	FOLLOWS CONTACT OR TEST PUSHBUTTON	3EE	OFF	OFF	ON WHEN- EVER LAMP IS ON
	ALARM	ON			FF/SF/STDY	ON	
	TEST	ON			TEST	ON	
4EE	NORMAL	OFF	FOLLOWS CONTACT ONLY	5EE	OFF	OFF	ON WHEN LAMP IS ON DUE TO ALARM INPUT
	ALARM	ON			FF/SF/STDY	ON	
	TEST	OFF			TEST	OFF	
6EE	NORMAL	OFF	ON ONLY WHEN HORN IS ACTIVE				
	ALARM	ON					
	ACK	OFF					
	TEST	ON					

NOTES:

▷ TRANSISTOR RATINGS: 20VDC;(24VDC MAX); 10mA MAX
SATURATION VOLTAGE 2.0VDC AT 10mA
NOTE: EMITTER IS CONNECTED TO SYSTEM COMMON [OV]

2. THIS OPTION IS AVAILABLE ONLY FOR POINTS WITH "DM" OR "DB" INPUTS.

SEE SEQUENCE CARD MODEL NUMBER
FOR OPTION CODE ORDERED

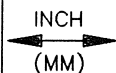


PANALARM

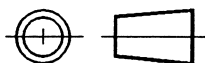
1725 WESTERN DRIVE, WEST CHICAGO, IL., 60185, U.S.A.
PHONE: 1-630-231-5900 FAX: 1-630-231-4502

TOLERANCE UNLESS SPECIFIED

INCHES	MILLIMETERS
.x = .040	X.0 = 1.0
.xx = .015	0.X = 0.4
.xxx = .005	0.XX = 0.1
ANGLES	±0'30"



THIRD ANGLE PROJECTION



REV	ECN NO.	BY	APPD	DATE	SCALE NONE	© 1981
02	6738-38	WW	RAS	10/01/81	DRWN BY FL / SK	
03	8900-22	AK	SC	01/06/84	APPD ARF	
04	8900-65	AK	AHD	05/07/84	DATE 02/18/81	
05	9090-37	JJ	RCV	09/13/84	92450-EE-1-06-01.dwg	
06	11872	SK	MAZ	6/15/01	SHEET 1 OF 1	

WIRING DIAGRAM,
FOR ELECTRONIC OUTPUT ON
TB1 & TB4

DWG. NO. 92450-*EE-1

-A-