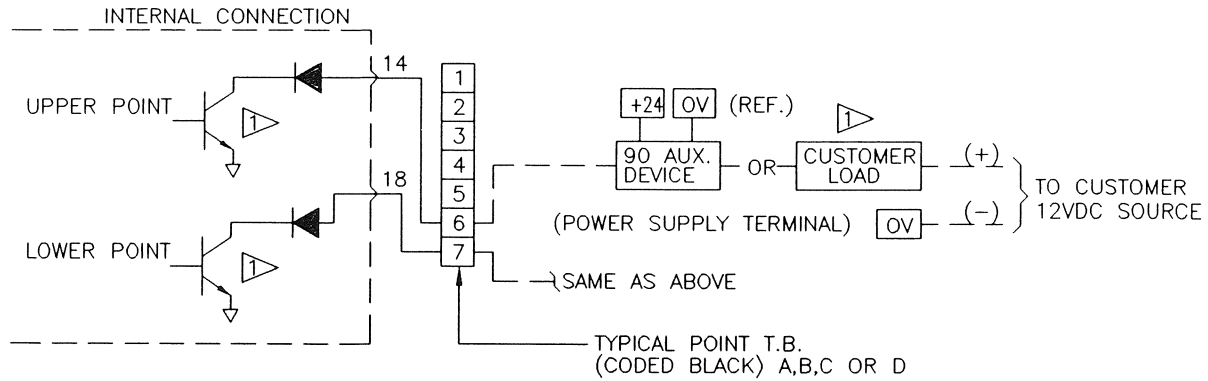


WIRING DIAGRAM



OPERATIONAL DESCRIPTION

OPTION CODE	INPUT STATUS	TRANSISTOR STATUS	DESCRIPTION	OPTION CODE	LAMP STATUS	TRANSISTOR STATUS	DESCRIPTION
1EG	NORMAL	OFF	FOLLOWS CONTACT OR TEST PUSHBUTTON	3EG	OFF	OFF	ON WHEN EVER LAMP IS ON
	ALARM	ON			FF/SF/STDY	ON	
	TEST	ON			TEST	ON	
4EG	NORMAL	OFF	FOLLOWS CONTACT ONLY	5EG	OFF	OFF	ON WHEN LAMP IS ON DUE TO ALARM INPUT
	ALARM	ON			FF/SF/STDY	ON	
	TEST	OFF			TEST	OFF	
6EG	NORMAL	OFF	ON ONLY WHEN HORN IS ACTIVE				
	ALARM	ON					
	ACK	OFF					
	TEST	ON					

NOTES:

▷ TRANSISTOR RATINGS: 20VDC;(24VDC MAX); 10mA MAX.
 SATURATION VOLTAGE 2.0VDC AT 10mA
 NOTE: EMITTER IS CONNECTED TO SYSTEM COMMON OV

SEE SEQUENCE CARD MODEL NUMBER FOR OPTION CODE ORDERED

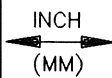


PANALARM

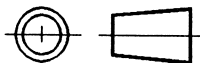
1725 WESTERN DRIVE, WEST CHICAGO, IL., 60185, U.S.A.
 PHONE: 1-630-231-5900 FAX: 1-630-231-4502

TOLERANCE UNLESS SPECIFIED

INCHES	MILLIMETERS
.X = .040	X.0 = 1.0
.XX = .015	0.X = 0.4
.XXX = .005	0.XX = 0.1
ANGLES	±0'30"



THIRD ANGLE PROJECTION



REV	ECN NO.	BY	APPD	DATE	SCALE	NONE	© 1981
02	6783-38	PR	RAS	10/01/81	DRWN BY	TL / SK	
03	8900-65	AK	AHD	05/07/84	APPD	ARF	
04	9090-37	JJ	RCV	09/13/84	DATE	02/18/81	
05	11872	SK	<i>MAJ</i>	<i>6/15/01</i>	92450-EG-1-05-01.dwg		
					SHEET 1 OF 1		

WIRING DIAGRAM,
 FOR ELECTRONIC OUTPUT ON
 TB6 & TB7

DWG. NO. 92450-*EG-1

-A-