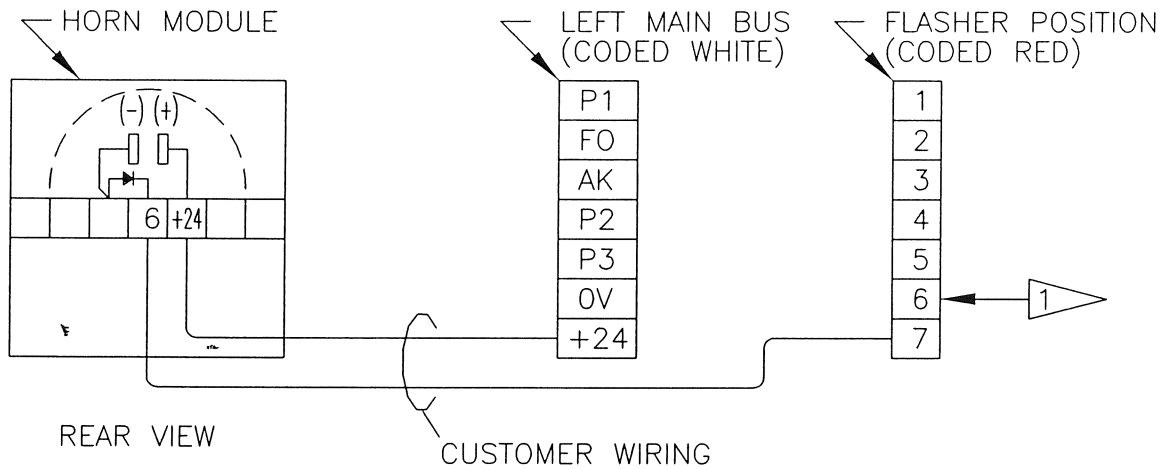
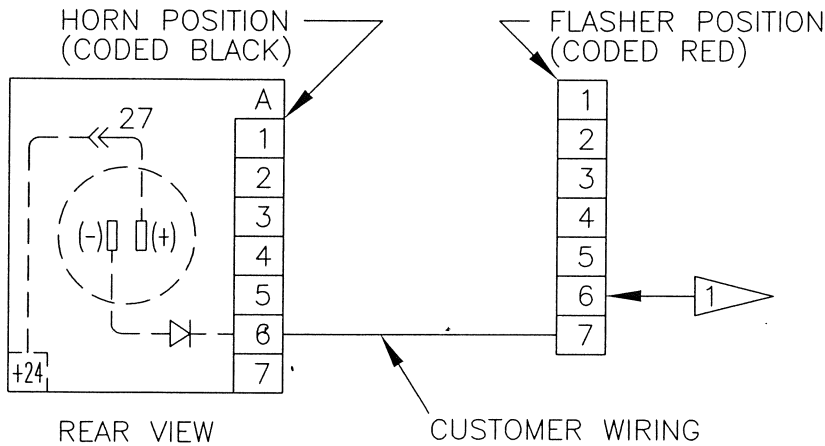


MODEL 90PDL* INTEGRAL HORN MOUNTED IN LAMP CABINET



4 MODEL 90PDA* INTEGRAL HORN MOUNTED IN ANNUNCIATOR CABINET



NOTES:

- 1 FOR RINGBACK AUDIBLE, WIRE FLASHER TERMINAL 6 TO SECOND 90PD** TERMINAL 6.
- 2. WATTAGE 0.4, 12mA AT 24VDC, UNFILTERED.
- 3. SOUND LEVEL AT TWO FEET. MIN. 68db, MAX. 80db.

4 Warning: Used on FM approved equipment. drawing must be submitted to FM whenever its revision level changes. NO substitutions without engineering approval. Ref. FM JI# OJ9A0. AX & 2Q8A3. AX

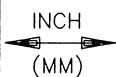


PANALARM

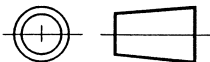
1725 WESTERN DRIVE, WEST CHICAGO, IL., 60185, U.S.A.
PHONE: 1-630-231-5900 FAX: 1-630-231-4502

TOLERANCE UNLESS SPECIFIED

INCHES	MILLIMETERS
.x = .040	x.0 = 1.0
.xx = .015	0.x = 0.4
.xxx = .005	0.xx = 0.1
ANGLES ±0°30'	



THIRD ANGLE PROJECTION



REV	ECN NO.	BY	APPD	DATE	SCALE NONE	© 1983
02	8700-66	RSP	RCV	07/19/83	DRWN BY TWL /SK	
03	8900-12	JE	RCV	12/17/83	APPD AHD	
04	8980	JJ	AHD	08/22/84	DATE 01/21/83	
05	7700-53	SK	JT	04/03/97	90450-PD__-1-06-01.dwg	
06	11872	SK	MAZ	6/15/00	SHEET 1 OF 1	

WIRING DIAGRAM,
INTEGRAL HORN, FAST PULSE (90PD*3)
OR CONTINUOUS TONE (90PD*1)

DWG. NO. 90450-PD**-1 -A-