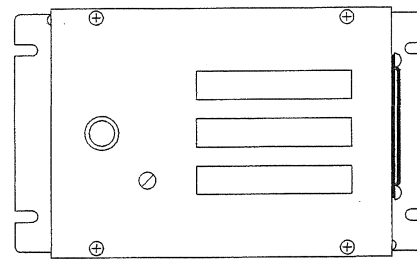
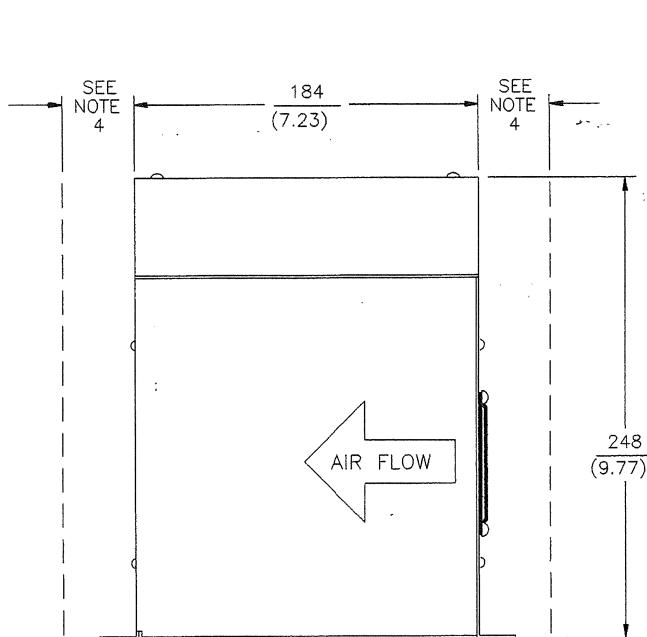
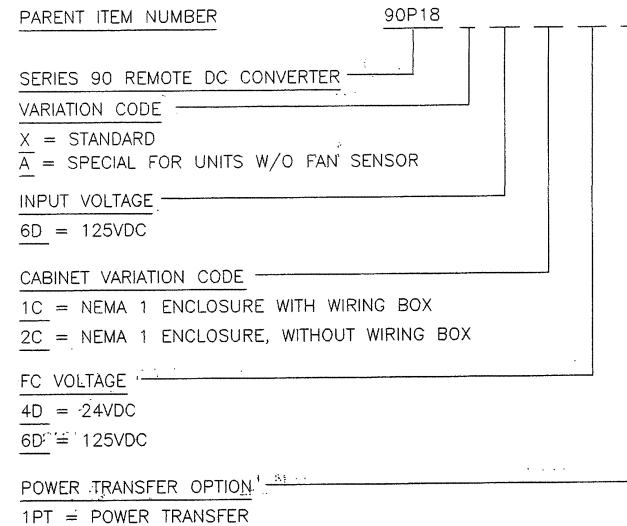


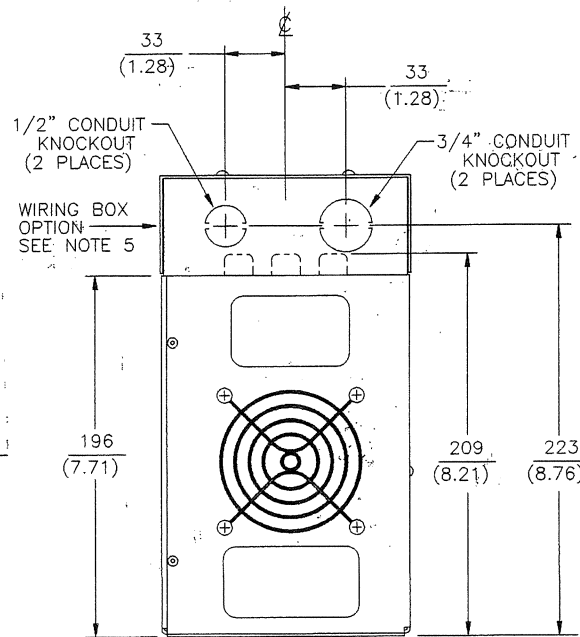
TOP VIEW - WIRING BOX OPTION



TOP VIEW - WITHOUT WIRING BOX OPTION



FRONT VIEW



RIGHT SIDE VIEW

NOTES:

1. WEIGHT APPROX. 3.6Kg. (7lbs. 15oz.).
2. OPERATING TEMPERATURE 0° - 50°C.
3. MATERIAL: 0.036 (20GA) CRS
FINISH: ZINC PLATE
4. A 38(1.5) FREE AIR CLEARANCE MUST BE MAINTAINED FROM FAN AND VENT SIDES TO ENSURE ADEQUATE COOLING.
5. FOR MODELS WITHOUT WIRING BOX OPTION (2C) OVER ALL HEIGHT IS 209 (8.21).



CAUTION: REFER TO INSTRUCTION MANUAL NUMBER 900383 PRIOR TO INSTALLATION FOR ADDITIONAL OPERATING INFORMATION AND VOLTAGE/CURRENT RATINGS.

USED ON:
C.S.A. CERTIFIED EQUIPMENT,
U.L. LISTED EQUIPMENT &
F.M. APPROVED EQUIPMENT

REV	ECN NO.	BY	APPD	DATE	MATERIAL:
00	7058-02	SM	SP	09/26/91	FINISH:
01	7058-06	SK	AHD	01/23/93	USED, ON/REF. DWG
02	7058-10	AD	JT	10/19/95	90P*
03	11872	SK	<i>gml</i>	6/15/01	

TOL UNLESS SPECIFIED:	
INCHES	X = .015
	.XX = .010
	.XXX = .005
MILLIMETERS	X.O = 1.0
	.0X = 0.4
	.0XX = 0.1
ANGLES ±0°30'	
SCALE	MM
	NONE (INCH)

	DWN. BY S.M.
APPD/DATE SP 09/26/91	THIRD ANGLE PROJECTION

AMETEK
PANALARM 1725 WESTERN DRIVE, WEST CHICAGO, IL., 60185, U.S.A.
 PHONE: 1-630-231-5900 FAX: 1-630-231-4502

DIMENSIONAL OUTLINE,
MODEL 90P18*

SHEET 1 OF 1 DWG. NO. 90100-P18-1 -C-