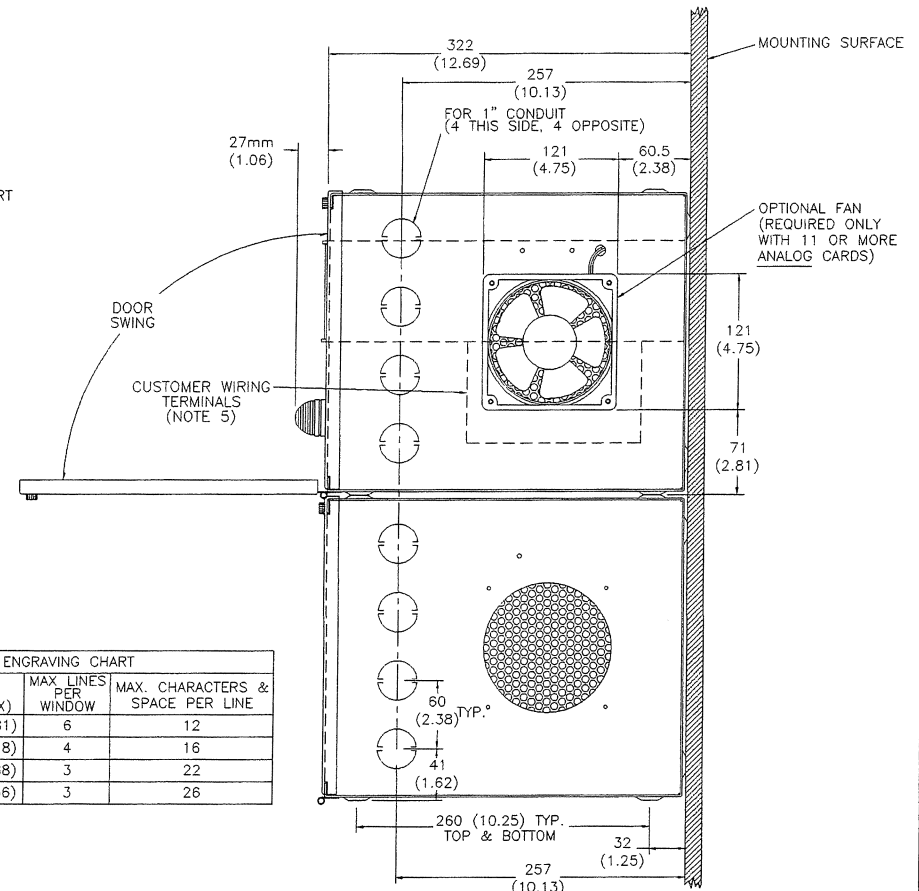
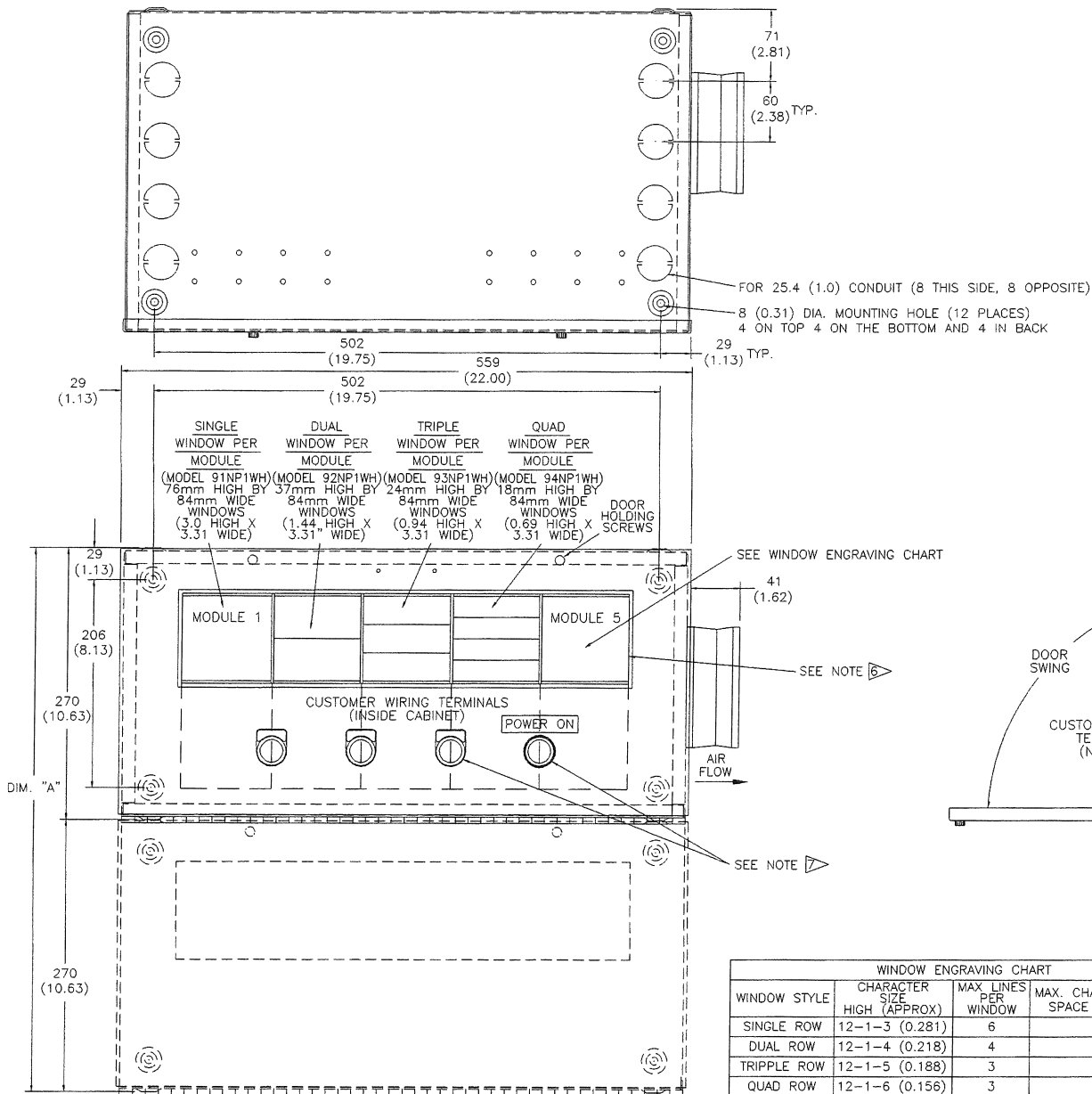


NOTES:

- STANDARD WINDOW NAMEPLATES ARE WHITE TRANSLUCENT POLYCARBONATE WITH ENGRAVED BLACK FILLED CHARACTERS PER CHART.
- LAMPS ARE ACCESSIBLE BY REMOVING SNAP-OFF WINDOW NAMEPLATE.
- PLUG-IN ALARM CARDS ARE ACCESSIBLE BY REMOVING PULL-OUT LIGHTBOX ASSEMBLIES.
- ALL DIMENSIONS ARE IN MILLEMETERS WITH CORRESPONDING INCH DIMENSIONS IN PHARENTHESES.
- TERMINAL BLOCKS ARE WIRED FROM THE FRONT.
- EACH WALL MOUNTED UNIT IS (1) MODULE HIGH X 5 MODULES WIDE. CHART SHOWS DIMENSIONS REQUIRED TO INSTALL UP TO (4) WALL MOUNT UNITS.

| ROWS HIGH | DIM. "A"     |
|-----------|--------------|
| 1         | 270 (10.63)  |
| 2         | 540 (21.25)  |
| 3         | 810 (31.88)  |
| 4         | 1080 (42.50) |

- PUSHBUTTONS & POWER ON LIGHT OPTIONAL—USED ONLY WHEN SPECIFIED. DIMENSIONS REQUIRED TO INSTALL UP TO (4) WALL MOUNT UNITS.



| WINDOW STYLE | CHARACTER SIZE HIGH (APPROX) | MAX LINES PER WINDOW | MAX. CHARACTERS & SPACE PER LINE |
|--------------|------------------------------|----------------------|----------------------------------|
| SINGLE ROW   | 12-1-3 (0.281)               | 6                    | 12                               |
| DUAL ROW     | 12-1-4 (0.218)               | 4                    | 16                               |
| TRIPPLE ROW  | 12-1-5 (0.188)               | 3                    | 22                               |
| QUAD ROW     | 12-1-6 (0.156)               | 3                    | 26                               |

MODEL NUMBER EXPLANATION:

9 4 WMA 5

SERIES 90

4 TERMINAL BLOCKS PER MODULE

WALL MOUNTED ANNUNCIATOR

GENERIC NUMBER-5 = 5 MODULES WIDE

COOLING FAN OPTION  
 (OMIT FIELD IF NOT REQUIRED)  
 CF1 = ONE COOLING FAN INSTALLED

BUS (CARD EDGE CONTACTS) FINISH OPTION  
 (BLANK FIELD INDICATES STANDARD TIN PLATING)  
 G7 = GOLD PLATE PER PANALARM DRAWING ENG-151-10  
 G8 = GOLD FLASH PER PANALARM DRAWING ENG-151-10

| REV | ECN NO. | BY  | APPD | DATE     | MATERIAL: 0.059 (16 GA) THICK C.R.S. | TOL. UNLESS SPECIFIED                               |
|-----|---------|-----|------|----------|--------------------------------------|---|
| 00  | 6803-23 | TWL | ARF  | 03/25/81 | FINISH: BLACK, POWER COAT            | INCHES<br>.X = .015<br>.XX = .010<br>.XXX = .005    |
| 01  | 6803-32 | PR  | ARF  | 05/06/81 | USED ON/REF. DWG                     | MILLIMETERS<br>X.0 = 1.0<br>0.X = 0.4<br>0.XX = 0.1 |
| 02  | 6783-38 | AK  | RJB  | 10/01/81 | 94WMA*                               | ANGLES ±0°30'                                       |
| 03  | 8300-52 | TWL | ARF  | 01/19/83 | 90800-WMA-2                          | SCALE 1 MM  |
| 04  | 8798    | MR  | JWK  | 07/20/83 |                                      | THIRD ANGLE PROJECTION                              |
| 05  | 10512   | SM  | JT   | 10/12/90 |                                      |   |
| 06  | 11872   | SK  | MAZ  | 6/15/01  |                                      |   |

90100-WMA-1-00-01.dwg © 1981

**AMETEK**

**PANALARM** 1725 WESTERN DRIVE, WEST CHICAGO, ILL. 60185, U.S.A.  
 PHONE: 1-630-231-5900 FAX: 1-630-231-4502

DIMENSIONAL OUTLINE, SERIES 90,  
 WALL MOUNTED ENCLOSURE, MODEL 94WMA\*

SHEET 1 OF 1 DWG. NO. 90100-WMA-1 -C-