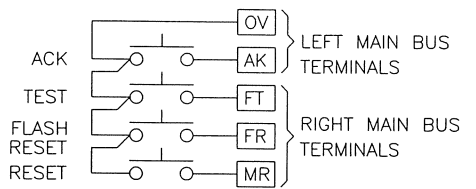


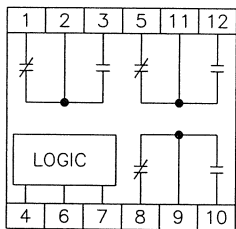
REMOTE PUSHBUTTON WIRING



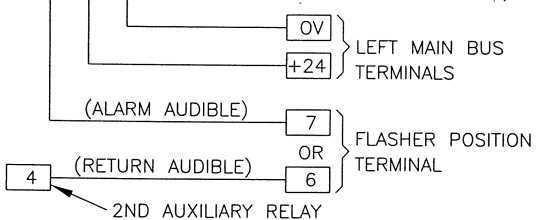
INTEGRAL PUSHBUTTON MODEL NO. 90PB41*

COMMON AUXILIARY RELAY WIRING

FOR CUSTOMER USE IF REQUIRED



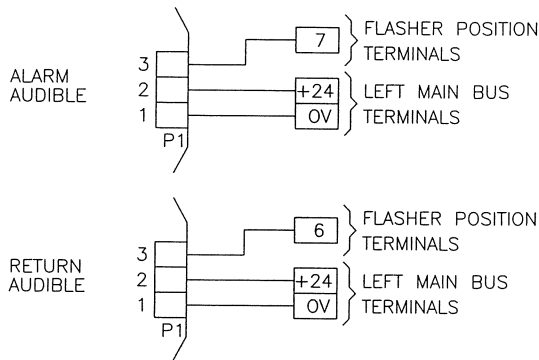
MODEL 90AX1 (DE-ENERGIZED IN NORMAL) OR 90AX2 (ENERGIZED IN NORMAL) WITH WB-3 WIRING BOX



RELAY CONTACTS RATED 4 AMPS AT 250VAC OR 5 AMPS AT 28VDC OR 120VAC AND 0.5 AMP AT 125VDC RESISTIVE LOAD.

NT2-24D AUDIBLE DEVICE WIRING

DIAGRAM SHOWS NOVATONE HORN WITH P1 TERMINAL BLOCK ON P.C. BOARD ATTACHED TO HORN (REF. DWG. 57100-48) FOR EARLIER VERSIONS WITH PIGTAIL LEADS, CONNECT BLACK TO OV, RED TO +24 AND BLUE TO FLASHER TERMINAL (REF. DWG. 57100-44).



ALARM PLUG-IN CARD MODEL NO. _____

SINGLE POINT = 91
 TWIN POINT = 92

SEQUENCE CODE _____
 VARIATION _____

INPUT OPTIONS DWG. LIST, REFER TO 91900-1 & 92900-1

OUTPUT OPTIONS DWG. LIST, REFER TO 91900-2 & 92900-2

OPERATIONAL SEQUENCE "FRR"

INPUT STATUS	VISUAL	ALARM AUDIBLE	RETURN AUDIBLE
ALARM OR TEST	FAST FLASH	ON	OFF
ACKNOWLEDGE	FAST FLASH	OFF	OFF
FLASH RESET	STEADY-ON	OFF	OFF
RETURN TO NORMAL	SLOW FLASH	OFF	ON
RESET	OFF	OFF	OFF

NOTES:

- IF A NEW ALARM OCCURS WHILE TESTING, POINT WILL INDICATE ALARM CONDITION (RE-ALARM) AFTER FLASH RESET PUSHBUTTON IS OPERATED.
- POINT WILL INDICATE ALARM WHEN TEST PUSHBUTTON IS OPERATED IF THE VISUAL INDICATOR IS OFF OR STEADY-ON.
- IF POINT REALARMS WHILE SLOW FLASHING (RETURNED TO NORMAL) POINTS REVERTS TO ALARM STATUS.
- A SINGLE AUDIBLE DEVICE MAY BE USED BY CONNECTING TERMINALS 6 & 7 OF THE FLASHER POSITION TOGETHER.

REV	ECN NO.	BY	APPD	DATE	MATERIAL:	
00	6781-04	DMW	ARF	02/18/81	FINISH:	
01	6783-38	WW	RAS	10/02/81	USED ON/REF. DWG	DESCRIPTION
02	8700-42	AK	JWK	05/19/83	91AR*	DRAWING LIST
03	9090-13	TA	AHD	10/02/84	92AR*	DRAWING LIST
04	9431-03	IR	PG	04/19/88		
05	7099-74	SK	PG	06/06/89		
06	11872	SK	Miz	6/15/91		

TOL. UNLESS SPECIFIED
INCHES .X = .015 .XX = .010 .XXX = .005
MILLIMETERS X.0 = 1.0 0.X = 0.4 0.XX = 0.1
ANGLES ±0°30'
SCALE INCH (MM)
NTS

PANALARM 1725 WESTERN DRIVE, WEST CHICAGO, IL., 60185, U.S.A.
 PHONE: 1-630-231-5900 FAX: 1-630-231-4502

DWN. BY DMW/SM
 APPD/DATE ARF 02/18/81
 THIRD ANGLE PROJECTION

CUSTOMER WIRING DIAGRAM AND SEQUENCE 'FRR' INFORMATION FOR SERIES 90

SHEET 1 OF 1	DWG. NO. 90450-AR2-1	-B-
--------------	----------------------	-----