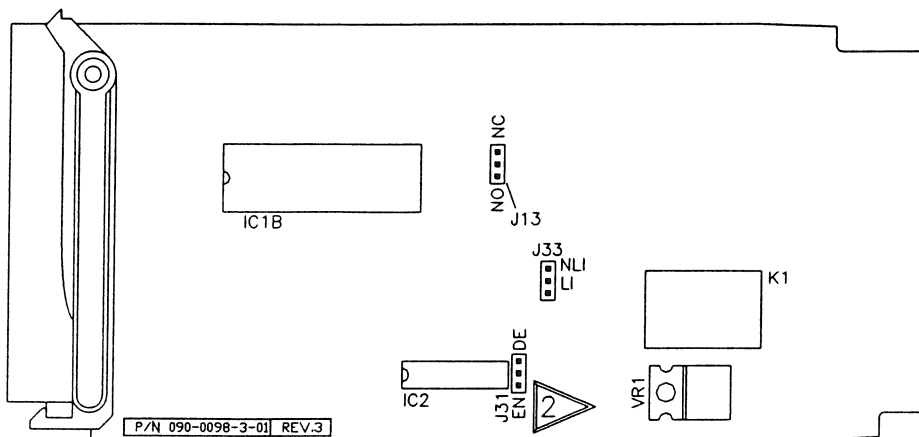


1 DO NOT RECONFIGURE PROGRAMMING JUMPERS
(OTHER THAN THOSE INDICATED IN THE DIAGRAM BELOW)



NOTES:

- 1** THIS SEQUENCE CARD HAS BEEN FACTORY SET TO OPERATE IN ACCORDANCE WITH THE MODEL NUMBER INDICATED ON THE CLEAR PLASTIC HANDLE. CHANGING THE PROGRAMMING JUMPER CONFIGURATION FROM THEIR FACTORY SETTINGS WILL ADVERSELY AFFECT THE OPERATION OF THE CARD. ONLY THOSE JUMPERS INDICATED IN THE DIAGRAM ABOVE ARE DESIGNED FOR FIELD SELECTION OF CUSTOMER OPTIONS PER TABLE "A" BELOW.

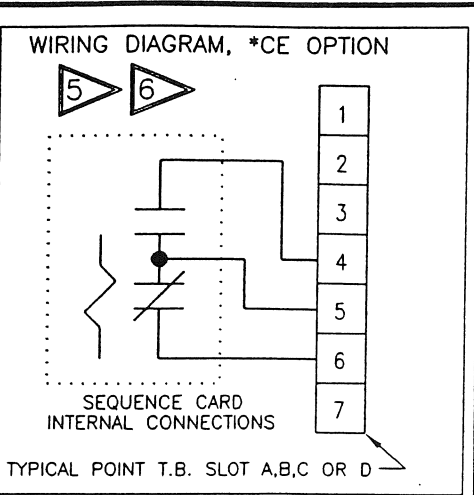
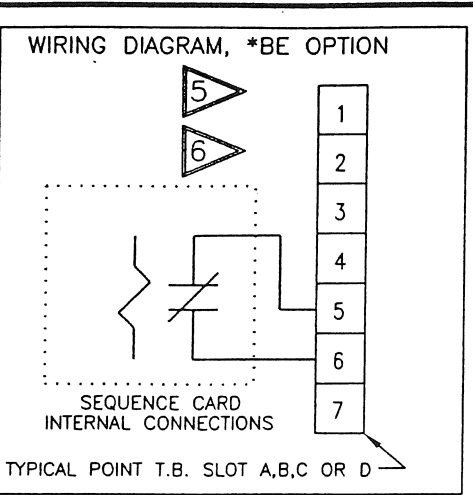
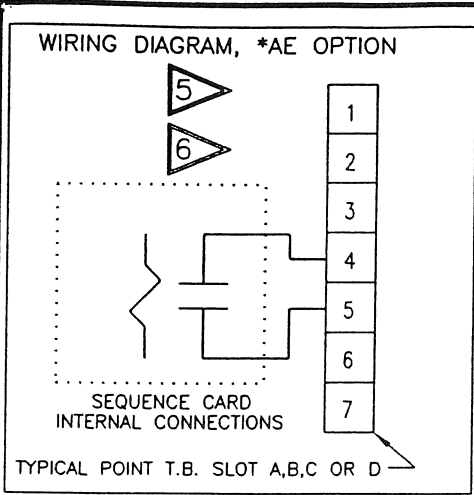
TABLE A			
SEQUENCE OR OPTION	SEQUENCES AF1, AF5, or AF12 (ONLY!) USE JUMPER:	RELAY OUTPUT OPTIONS (1, 3, 4, 5, OR 6) AE, BE or CE USE JUMPER:	ALL SEQUENCES USE JUMPER:
SET JUMPER	J33 TO SET LOCKIN (LI) OR NON-LOCKIN (NLI)	J31 TO SET K1 FOR ENERGIZED IN NORMAL (EN) OR DE-ENERGIZED IN NORMAL (DE)	J13 TO SET FIELD CONTACT FOR: NORMALLY OPEN (NO) OR NORMALLY CLOSED (NC)
EXAMPLE OF JUMPER SETTING	SET FOR LOCKIN SET FOR NON-LOCKIN	SET FOR ENERGIZED IN NORMAL SET FOR DE-ENERGIZED IN NORMAL	SET FOR NORMALLY OPEN SET FOR NORMALLY CLOSED

- 2** FOR CARDS WITHOUT A RELAY OUTPUT OPTION INSTALLED, JUMPER J31 WILL NOT BE PRESENT.
- 3** *AE OPTION CARDS WILL HAVE ONLY A NORMALLY OPEN, (N.O.), CONTACT AVAILABLE.
*BE OPTION CARDS WILL HAVE ONLY A NORMALLY CLOSED, (N.C.), CONTACT AVAILABLE.
*CE OPTION CARDS WILL HAVE BOTH A NORMALLY OPEN AND A NORMALLY CLOSED CONTACT AVAILABLE.
- 4** CONTACTS SHOW RELAYS IN THE DE-ENERGIZED IN NORMAL CONDITION, (FACTORY DEFAULT IS ENERGIZED).
- 5** IF TRANSIENT SUPPRESSION FOR RELAY CONTACTS IS REQUIRED INSTALL PANALARM MODEL 90ATB14 ACROSS THE POINT TERMINAL BLOCK TERMINALS HAVING ACTIVE CONTACTS (130VAC MAX.).
- 6** CONTACT RATINGS:
5 AMP @ 250VAC OR 28VDC RESISTIVE.
500 mA @ 120VAC OR 28VDC LAMP LOAD.
500 mA @ 125VDC RESISTIVE LOAD ONLY.
125 mA @ 125VDC LAMP LOAD ONLY.
- SEE SEQUENCE CARD MODEL NUMBER (LOCATED ON CARD HANDLE) FOR OPTION CODE ORDERED



PANALARM 1725 WESTERN DRIVE, WEST CHICAGO, IL., 60185, U.S.A.
PHONE: 1-630-231-5900 FAX: 1-630-231-4502

TOLERANCE UNLESS SPECIFIED INCHES MILLIMETERS .X = .040 X.0 = 1.0 .XX = .015 O.X = 0.4 .XXX = .005 O.XX = 0.1 ANGLES ±0°30'		INCH (MM)	THIRD ANGLE PROJECTION 		
REV	ECN NO.	BY	APPD	DATE	SCALE NONE © 1999
00	7097-69B	SK	CNL	11/04/99	DRWN BY S. KUNCA
01	11872	SK	MAL	6/15/01	APPD CNL
					DATE 11/04/99
					91450-MB01-1-01-01.dwg
					SHEET 1 OF 2
					DWG. NO. 91450-MB01-1 -A-



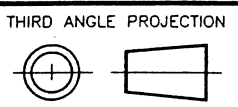
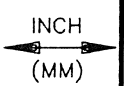
OPTION CODE	INPUT STATUS	N.O. CONTACT STATUS	N.C. CONTACT STATUS	DESCRIPTION
1CE	NORMAL			FOLLOWS CONTACT OR TEST PUSHBUTTON
	ALARM			
	TEST			
3CE	OFF			ON WHENEVER LAMP IS ON
	FF/SF/STDY			
	TEST			
4CE	NORMAL			FOLLOWS CONTACT ONLY
	ALARM			
	TEST			
5CE	OFF			ON WHEN LAMP IS ON DUE TO ALARM INPUT
	FF/SF/STDY			
	TEST			
6CE	NORMAL			ON ONLY WHEN HORN IS ACTIVE
	ALARM			
	ACK			
	TEST			



PANALARM 1725 WESTERN DRIVE, WEST CHICAGO, IL., 60185, U.S.A.
 PHONE: 1-630-231-5900 FAX: 1-630-231-4502

TOLERANCE UNLESS SPECIFIED

INCHES	MILLIMETERS
.X = .040	X.0 = 1.0
.XX = .015	0.X = 0.4
.XXX = .005	0.XX = 0.1
ANGLES	±0°30'



REV	ECN NO.	BY	APPD	DATE	SCALE NONE	© 1999
01	SEE SHT 1				DRWN BY S. KUNCA	
					APPD CNL	
					DATE 11/04/99	
					91450-MB01-1-01-02.dwg	
					SHEET 2 OF 2	

WIRING DIAGRAM, SERIES 90,
 JUMPER CONFIGURATIONS
 MODEL 91MB01

DWG. NO. 91450-MB01-1 -A-