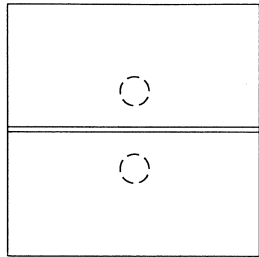
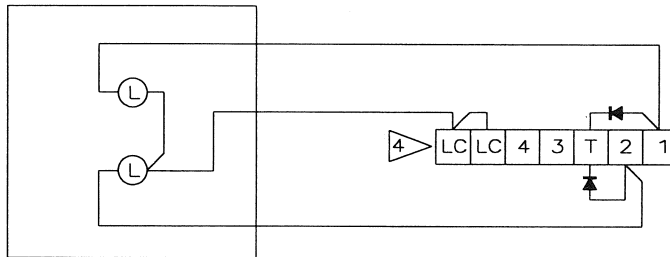


PT. 1  
PT. 2



FRONT VIEW OF LIGHTBOX  
SHOWING LAMP PLACEMENT

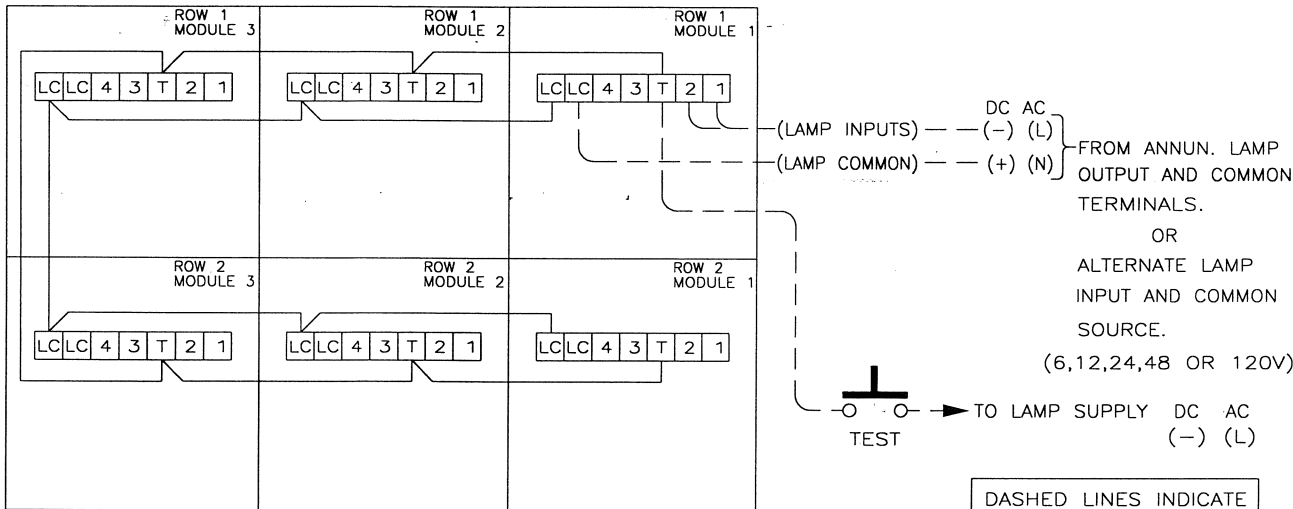


REAR VIEW OF LIGHTBOX  
SHOWING LAMP CONNECTIONS

LAMP USAGE CHART

NOMINAL VOLTAGE	PANALARM P/N	LAMP TYPE	LAMP VOLTAGE RATING	TOTAL CURRENT PER LIGHT BOX	LAMP CURRENT AT RATED VOLTAGE
6	430003	755	6.3V	0.30A	0.15 @ 6.3V
12	430006	756	14V	0.40A	0.20 @ 14V
24	430023	1819	28V	0.08A	0.04 @ 28V
48	430012	1835	48V	0.10A	0.05 @ 48V
120	430122	SP-105	130V	0.05A	0.025 @ 130V

DIODE = P/N 650030 1AMP 400PIV IN4004



TYPICAL REAR VIEW  
2 HIGH BY 3 WIDE MODULE ARRANGEMENT SHOWN

NOTES:

- LAMPS ARE T-3-1/4, MINIATURE BAYONET BASE INCANDESCENT.
- TEST P.B. MUST HAVE A TUNGSTEN RATING EQUAL TO THE TOTAL CURRENT PER LIGHTBOX TIMES THE NUMBER OF LIGHTBOXES.
- SIGNAL CONTACT MUST HAVE A TUNGSTEN RATING EQUAL TO THE INDIVIDUAL LAMP CURRENT.
- WHITE WIRE ON LAMP SOCKET (SHELL LEAD) MUST BE CONNECTED TO LAMP COMMON.

DASHED LINES INDICATE  
CUSTOMER FIELD WIRING

USED ON/REF. DWG	DESCRIPTION
9*LBX*	DRAWING LIST
90800-LBX2-1	LIGHTBOX ASSEMBLY
90800-CL-1	LAMP CAB ASSEMBLY

SYM	REVISION	DATE	BY	CH.	RESTRICTED, CONFIDENTIAL DOCUMENT THIS DRAWING AND ALL INFORMATION SHOWN HEREON ARE THE EXCLUSIVE PROPERTY OF AMETEK / PANALARM AND ARE SUBMITTED ONLY ON A CONFIDENTIAL BASIS. THE RECIPIENT AGREES NOT TO REPRODUCE THE DRAWING, TO RETURN IT UPON REQUEST, AND THAT NO DISCLOSURE OF THE DRAWING OR THE INFORMATION SHOWN HEREON WILL BE MADE TO A THIRD PARTY WITHOUT PRIOR WRITTEN CONSENT FROM AMETEK / PANALARM
					<b>AMETEK</b> PANALARM, 1725 WESTERN DRIVE, WEST CHICAGO, IL 60185
DR. S.M.		DATE 08/07/91	CH. JT	APP. JT	
SCALE NONE		TOLERANCES NOT SPECIFIED	DECIMAL ±.005"	FRACTIONAL ±.010"	ANGULAR ±1'
01	11872 REDRAWN	09/18/02	SK	SJK	DRAWING NAME, WIRING DIAGRAM, SERIES 90, LAMP CABINET USING 92LBX08* LIGHTBOXES WITH LAMP TEST, DUAL POINTS PER MODULE, ONE LAMP PER POINT
00	10548-01	08/07/91	SM	JT.	
					PART NO. 92405-CLX1T-3 REV. 1