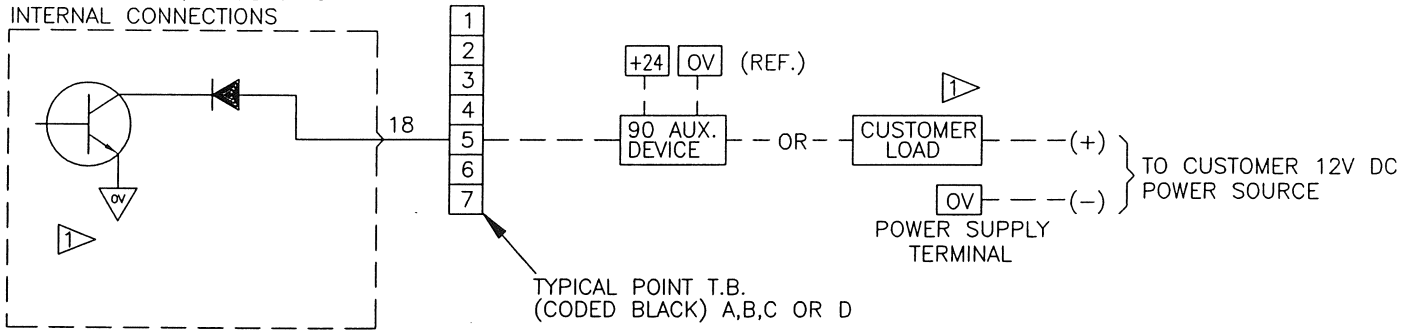


WIRING DIAGRAM

90 SERIES SEQUENCE CARD
INTERNAL CONNECTIONS



OPERATIONAL DESCRIPTION

| OPTION CODE | INPUT STATUS | TRANSISTOR STATUS | DESCRIPTION |
|-------------|--------------|-------------------|------------------------------------|
| 1EB | NORMAL | OFF | FOLLOWS CONTACT OR TEST PUSHBUTTON |
| | ALARM | ON | |
| | TEST | ON | |
| 3EB | OFF | OFF | ON WHENEVER LAMP IS ON |
| | FF/SF/STDY | ON | |
| | TEST | ON | |
| 4EB | NORMAL | OFF | FOLLOWS CONTACT ONLY |
| | ALARM | ON | |
| | TEST | OFF | |

| OPTION CODE | INPUT STATUS | TRANSISTOR STATUS | DESCRIPTION |
|-------------|--------------|-------------------|---------------------------------------|
| 5EB | OFF | OFF | ON WHEN LAMP IS ON DUE TO ALARM INPUT |
| | FF/SF/STDY | ON | |
| | TEST | OFF | |
| 6EB | NORMAL | OFF | ON ONLY WHEN HORN IS ACTIVE |
| | ALARM | ON | |
| | ACK | OFF | |
| | TEST | ON | |

NOTE:

TRANSISTOR RATINGS: 20V DC; (24V DC MAX.) 10mA MAX.
SATURATION VOLTAGE: 2.0V DC @ 10mA
NOTE: TRANSISTOR EMITTER CONNECTED TO SYSTEM COMMON

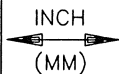
SEE SEQUENCE CARD MODEL NUMBER FOR OPTION CODE ORDERED



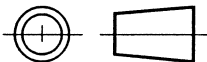
PANALARM

1725 WESTERN DRIVE, WEST CHICAGO, IL., 60185, U.S.A.
PHONE: 1-630-231-5900 FAX: 1-630-231-4502

TOLERANCE UNLESS SPECIFIED
INCHES MILLIMETERS
.X = .040 X.0 = 1.0
.XX = .015 0.X = 0.4
.XXX = .005 0.XX = 0.1
ANGLES ±0°30'



THIRD ANGLE PROJECTION



| REV | ECN NO. | BY | APPD | DATE | SCALE NONE © 1981 |
|-----|----------|-----|------------|----------|----------------------|
| 01 | 6783-38 | TWL | RAS | 10/01/81 | DRWN BY TL |
| 02 | 8900-65 | MR | AHD | 05/07/84 | APPD ARF |
| 03 | 9090-37 | JJ | RCV | 09/13/84 | DATE 02/18/81 |
| 04 | 7099-32 | KT | PG | 04/08/87 | 91450-EB-1-05-01.dwg |
| 05 | 7097-69B | SK | <i>maJ</i> | 6/15/01 | SHEET 1 OF 1 |

WIRING DIAGRAM,
FOR ELECTRONIC OUTPUT ON TB5,
OPTION "*EB"

DWG. NO. 91450-*EB-1

-A-