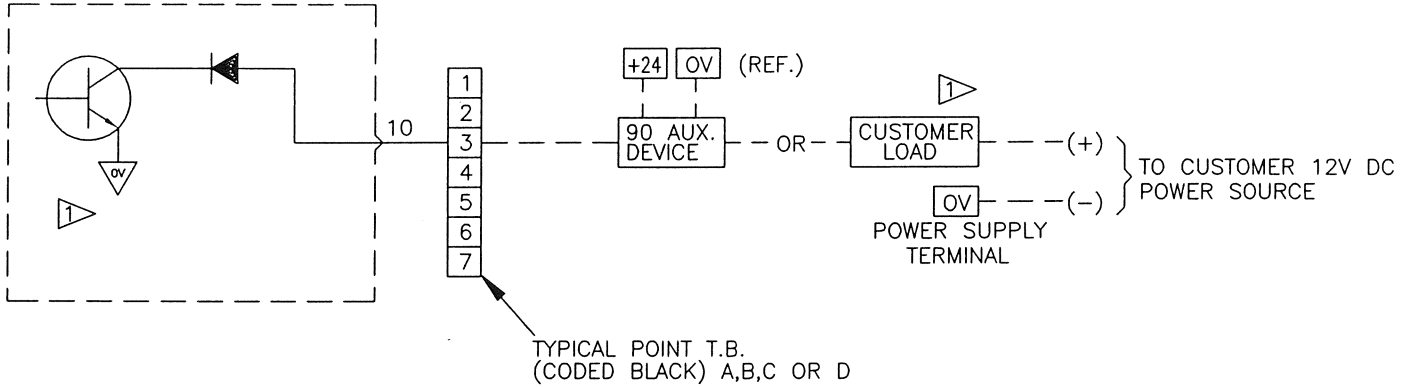


WIRING DIAGRAM

90 SERIES SEQUENCE CARD  
INTERNAL CONNECTIONS



OPERATIONAL DESCRIPTION

OPTION CODE	INPUT STATUS	TRANSISTOR STATUS	DESCRIPTION
1EJ	NORMAL	OFF	FOLLOWS CONTACT OR TEST PUSHBUTTON
	ALARM	ON	
	TEST	ON	
3EJ	OFF	OFF	ON WHENEVER LAMP IS ON
	FF/SF/STDY	ON	
	TEST	ON	
4EJ	NORMAL	OFF	FOLLOWS CONTACT ONLY
	ALARM	ON	
	TEST	OFF	

OPTION CODE	INPUT STATUS	TRANSISTOR STATUS	DESCRIPTION
5EJ	OFF	OFF	ON WHEN LAMP IS ON DUE TO ALARM INPUT
	FF/SF/STDY	ON	
	TEST	OFF	
6EJ	NORMAL	OFF	ON ONLY WHEN HORN IS ACTIVE
	ALARM	ON	
	ACK	OFF	
	TEST	ON	

NOTES:

TRANSISTOR RATINGS: 20V DC; (24V DC MAX.) 10mA MAX.  
SATURATION VOLTAGE: 2.0V DC @ 10mA  
NOTE: TRANSISTOR EMITTER CONNECTED TO SYSTEM COMMON

2. OPTION "EJ" CANNOT BE USED WITH FIRST OUT SEQUENCE.

SEE SEQUENCE CARD MODEL NUMBER FOR OPTION CODE ORDERED

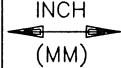


**PANALARM**

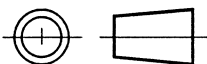
1725 WESTERN DRIVE, WEST CHICAGO, IL., 60185, U.S.A.  
PHONE: 1-630-231-5900 FAX: 1-630-231-4502

TOLERANCE UNLESS SPECIFIED

INCHES	MILLIMETERS
.x = .040	x.0 = 1.0
.xx = .015	0.x = 0.4
.xxx = .005	0.xx = 0.1
ANGLES ±0'30'	



THIRD ANGLE PROJECTION



REV	ECN NO.	BY	APPD	DATE	SCALE NONE	© 1981
04	7099-32	KT	PG	04/08/87	DRWN BY MR	
05	10071	IR	SP	03/14/89	APPD PG	
06	7097-69B	SK	<i>MAZ</i>	<i>6/15/01</i>	DATE 09/16/81	
					91450-_EJ-1-06-01.dwg	
					SHEET 1 OF 1	

WIRING DIAGRAM,  
FOR ELECTRONIC OUTPUT ON TB3,  
OPTION "EJ"



DWG. NO. 91450-\*EJ-1

-A-