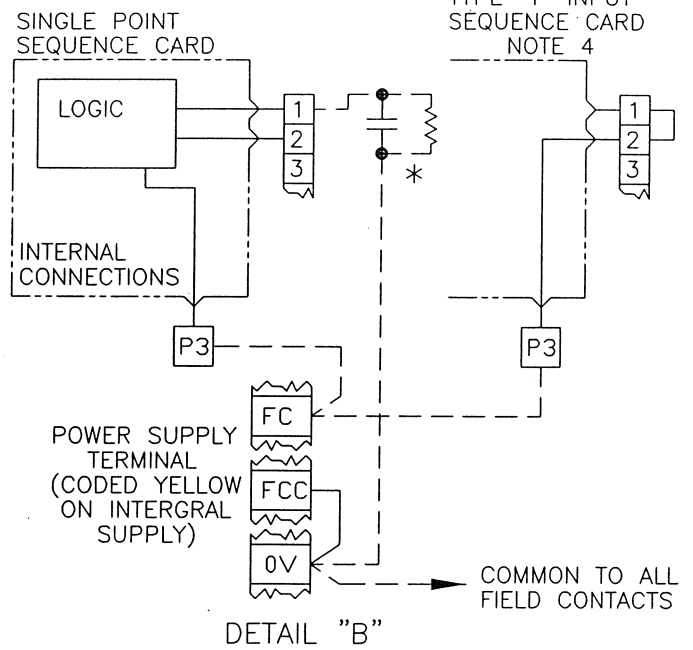


DETAIL "A"
TYPICAL WIRING, SIGNAL CONTACT WITH CLOSED LOOP FOR EACH SIGNAL CONTACT FOR TWM OPTION



DETAIL "B"
TYPICAL WIRING, SIGNAL CONTACT WITH ONE SIDE COMMONED FOR TWM OPTION

*TYPICAL FIELD CONTACT N.O. OR N.C. LOOP RESISTOR, 5.1K, 5%, 1/4W (P/N 631507) FOR TWM OPTION ONLY.

PLUG-IN CARD SWITCH SETTING CHART		
FIELD CONTACT TYPE	POINT BOARD P/N 090-0031-3-01 SW1 POS. 4	SWITCH ON TWM MONITOR BOARD
N.O.	CLOSED	OPEN
N.C.	OPEN	CLOSED

NOTES:

1. TWM OPTION CANNOT BE USED WHEN SEQUENCE CARDS ARE INSTALLED IN THE SAME HORIZONTAL ROW AS A METER SET ANALOG CARD (MODEL 91AD*).
2. OPEN CIRCUIT IN SIGNAL CONTACT WIRING ONLY WILL DISPLAY ALARM CONDITION AS SHOWN ON APPLICABLE SEQUENCE DRAWING. AFTER DEPRESSING THE "ACK" BUTTON (HORN SILENCE) THE LAMP DISPLAY WILL BLINK (A SHORT-100ms-FLASH OCCURRING EVERY TWO SECONDS). SYSTEM PUSHBUTTONS WILL THEN HAVE NO AFFECT ON THE CARD UNTIL ITS SIGNAL WIRING IS REESTABLISHED.
3. WITH SEQUENCE AF1 IN THE NLI (NON LOCK-IN) MODE, AN OPEN CIRCUIT IN THE SIGNAL CONTACT WIRING LOOP WILL CAUSE THE DISPLAY TO BLINK WITHOUT DISPLAYING AN ALARM CONDITION.
4. PROPER FUNCTION OF TWM REQUIRES FC VOLTAGE. THEREFORE, IT IS MANDATORY THAT SYSTEM CONTAIN ONE "EXTRA" TYPE "T" INPUT SEQUENCE CARD (WIRING AS ABOVE) OR USE A POWER FAILURE MONITOR 90AX2 (90450-AX2-2). AN ASSOCIATED NAMEPLATE ENGRAVED "LOSS OF ANNUNCIATOR FC VOLTAGE" IS REQUIRED.

USED ON/REF. DWG'S. 91900-1 (INPUT OPTION LIST), 900145 (DOCUMENT), 91450-T-1 (INPUT TYPE "T")



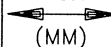
PANALARM

1725 WESTERN DRIVE, WEST CHICAGO, IL., 60185, U.S.A.
PHONE: 1-630-231-5900 FAX: 1-630-231-4502

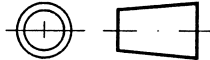
TOLERANCE UNLESS SPECIFIED

INCHES	MILLIMETERS
.X = .040	X.0 = 1.0
.XX = .015	0.X = 0.4
.XXX = .005	0.XX = 0.1
ANGLES	±0°30'

INCH



THIRD ANGLE PROJECTION



REV	ECN NO.	BY	APPD	DATE	SCALE NONE	© 1982
04	9090-58	JJ	AHD	11/20/84	DRWN BY JJ / SK	
05	9164	JJ	AHD	01/25/85	APPD <i>MAZ</i>	
06	9185-08	JJ	RCV	07/08/85	DATE 6/15/01	
07	11872	SK	<i>MAZ</i>	6/15/01	91450-TWM-1-07-01.dwg	
SHEET 1 OF 1						

WIRING DIAGRAM, SERIES90
SWITCH CONTACT INPUT
SINGLE POINT CARD

DWG. NO. 91450-TWM-1

-A-