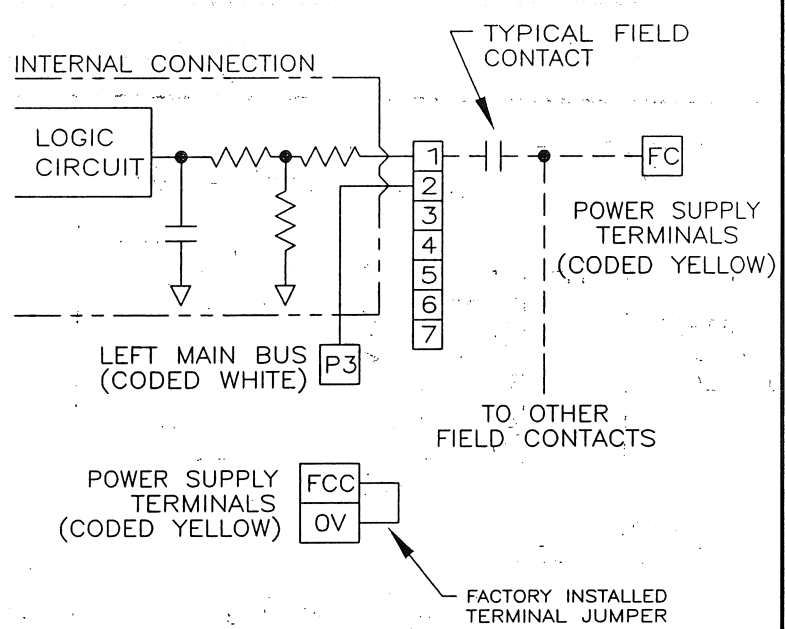


DETAIL "A"

INDIVIDUAL "FC" WIRING, REMOVAL OF SEQUENCE CARD DISCONNECTS POWER TO FIELD CONTACTS.



DETAIL "B"

TYPICAL WIRING WITH ONE SIDE OF FIELD CONTACT COMMONED

INPUT (TYPE "T") WIRING

NOTE:

- IF MORE THAN ONE POWER SUPPLY IS REQUIRED, P3 IS COMMONED ONLY BETWEEN CHASSIS SERVED BY THE SAME SUPPLY.

SEE SEQUENCE CARD MODEL NUMBER (LOCATED ON CARD HANDLE) FOR OPTION CODE ORDERED

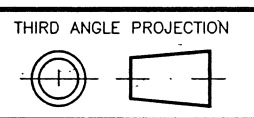
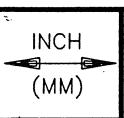
"T" TYPE SIGNAL INPUT PARAMETERS							
VOLTAGE			CURRENT	RESISTANCE (OHMS)		SWITCHING THRESHOLD	
NOMINAL	DESIGN RANGE	MAX ①	MAX	SERIES MAX	LEAKAGE MIN	MIN	MAX
12 VDC	10-14 V	24 V	3 mA	6.5 K	60K	4.6 V	7.5 V
24 VDC	20-28 V	48 V		6.5 K	45 K	6.6 V	10.8 V
48 VDC	40-56 V	96 V		5.0 K	65 K	16.9 V	27.6 V
125 VDC	105-140 V	140 V		5.0 K	150 K	46.9 V	76.5 V

① =CONTINUOUS WITHOUT FALSE OPERATION OR COMPONENT DAMAGE



PANALARM 1725 WESTERN DRIVE, WEST CHICAGO, IL., 60185, U.S.A.
 PHONE: 1-630-231-5900 FAX: 1-630-231-4502

TOLERANCE UNLESS SPECIFIED	
INCHES	MILLIMETERS
.X = .040	X.O = 1.0
.XX = .015	O.X = 0.4
.XXX = .005	O.XX = 0.1
ANGLES	±0°30'



REV	ECN NO.	BY	APPD	DATE	SCALE NONE	© 1981
02	8300-21	MR	AHD	07/14/82	DRWN BY MR / JT	
03	8300-58	WW	PG	10/15/82	APPD ARF	
04	9300-41	MR	RCV	09/04/86	DATE 02/18/81	
05	10322-01	JT	PG	06/12/90	91450-T-1-06-01.dwg	
06	7097-69B	SK	CNL	12/22/99	SHEET 1 OF 1	

WIRING DIAGRAM, SERIES 90
 SWITCH CONTACT INPUT
 SINGLE POINT CARD