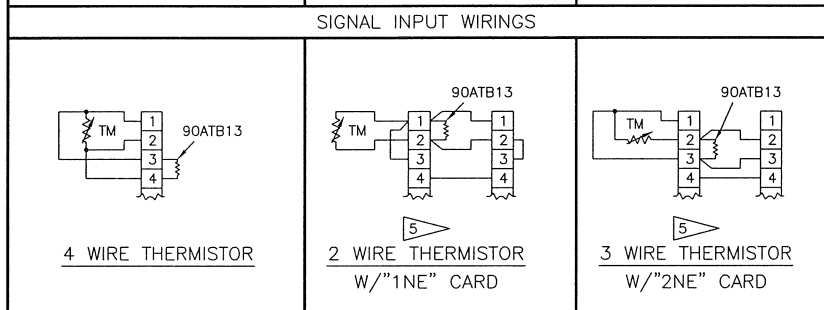
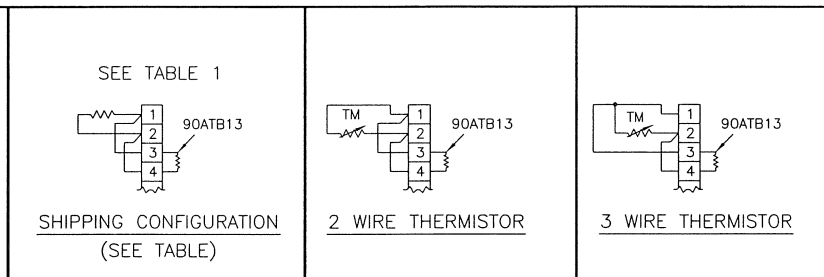


**NOTES:**

- SEE DRAWING No. 90400-DD\*-1 FOR STANDARD DIGITAL DISPLAY CONFIGURATION & INTERFACE WITH METER SET, FOR SYSTEMS UP TO 5 MODULES WIDE (100 POINTS MAX.)
- SEE DRAWING No. 90400-DD\*-2 FOR EXPANDED DIGITAL DISPLAY CONFIGURATION & INTERFACE WITH METER SET, FOR SYSTEMS UP TO 10 MODULES WIDE (200 POINTS MAX.)
- FOR MODELS 91AD1\* (SINGLE SET) METER SET ANALOG CARDS(S), USE SINGLE POINT SEQUENCE CARD(S) WITH DM12DC INPUT.  
FOR MODELS 91AD2\* (DUAL SET) METER SET ANALOG CARDS(S), USE TWIN POINT SEQUENCE CARD(S) WITH DM12DC INPUT.
- USED TO MONITOR TRANSDUCER STATUS DURING CUSTOMER CALIBRATION, REF. INSTRUCTION MANUAL & TEST PROBE. MODEL 90TP2 TEST PROBE TO BE USED TO CONNECT TEST JACK "TP1" TO CUSTOMER'S MULTIMETER. TO EXPAND AVAILABLE SETPOINTS TO A MAX. OF 4, CONNECT AN OPTION "1NE" CARD AS SHOWN.
- ANALOG CARDS ARE NORMALLY LOCATED IN SLOTS B & D. SEQUENCE CARDS ARE LOCATED IN SLOTS A & C. SEQUENCE CARD IN SLOT A IS OPERATED BY ANALOG CARD IN SLOT B. SEQUENCE CARD IN SLOT C IS OPERATED BY ANALOG CARD IN SLOT D.

DASHED LINES INDICATE CUSTOMER FIELD WIRING



MODEL No.	RANGE	FACTORY INSTALLED RESISTOR
91AD*TM*	ALL	2.2KΩ, 5%, 1/4W, P/N 631029

TABLE 1

THE RESISTOR AND JUMPERS SHOWN ARE INSTALLED BY FACTORY TO PREVENT SENSOR FAILURE INDICATION ON UNASSIGNED POSITIONS. REMOVE ONLY WHEN POSITION IS ASSIGNED.

MODEL	RANGE	JUMPER POSITION					SENSOR	
		J1	J2	J3	J4	J5	FENWAL	YSI
TM1	-70° TO +25°	X		X	X	X	UUD2JI	
TM2	-50° TO +60°	X	X		X	X	UUD23JI	
TM3	-40° TO +75°	X			X	X	UUB25JI	
TM4	-25° TO +90°	X	X	X		X	UUB3JI	44003A
TM5	-10° TO +115°	X		X		X	UUA32J3	44004
TM6	0° TO +125°	X	X			X	UUA33JI	44005
TM7	+10° TO +150°	X				X	UUA35JI	44007

REV	ECN NO.	BY	APPD	DATE	MATERIAL: *****
06	6841-44	JJ	PG	09/30/86	FINISH: *****
07	6841-46	LJ	PG	03/27/87	USED ON/REF. DWG
08	6841-51	LJ	PG	03/22/88	91AD*
09	10319	SK	AHD	01/02/90	900252
10	11872	SK	MAJ	6/15/01	91900-AD-1
					90DD*

91450-TM\_-1-10-01.dwg © 1982

TOL. UNLESS SPECIFIED

INCHES  
.X = .015  
.XX = .010  
.XXX = .005

MILLIMETERS  
X.0 = 1.0  
0.X = 0.4  
0.XX = 0.1

ANGLES ±0°30'

SCALE INCH (MM)

NONE

**AMETEK**

**PANALARM** 1725 WESTERN DRIVE, WEST CHICAGO, IL., 60185, U.S.A.  
PHONE: 1-630-231-5900 FAX: 1-630-231-4502

DWN. BY ARF / SK  
APPD/DATE JES 07/07/82  
THIRD ANGLE PROJECTION

INPUT WIRING DIAGRAM FOR MODEL 91AD\*TM\*  
THERMISTOR  
USED ON SERIES 90 METER SET ANALOG

SHEET 1 OF 1 DWG. NO. 91450-TM\*-1 -B-