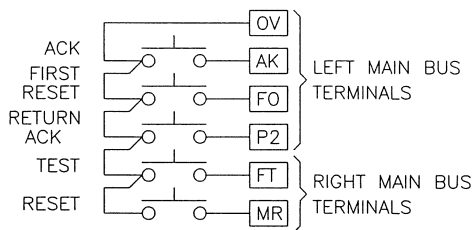


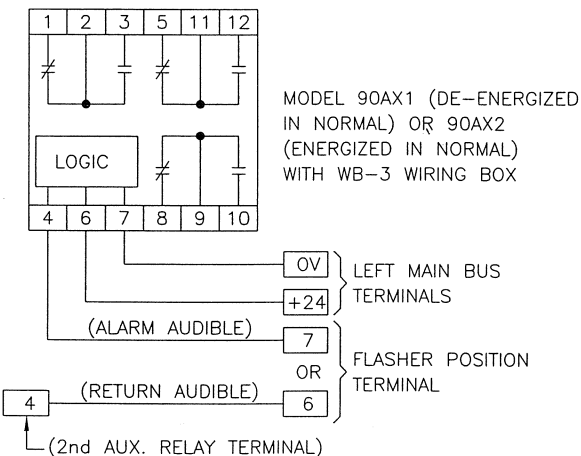
REMOTE PUSHBUTTON WIRING



INTEGRAL PUSHBUTTON MODEL NO. 90PB53*

COMMON AUXILIARY RELAY WIRING

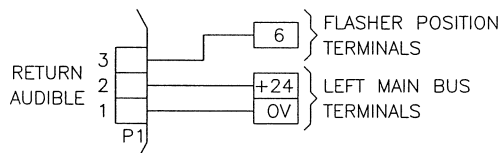
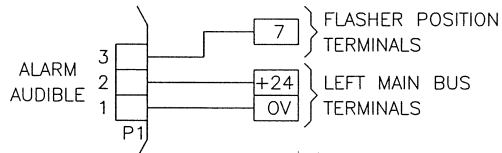
FOR CUSTOMER USE IF REQUIRED



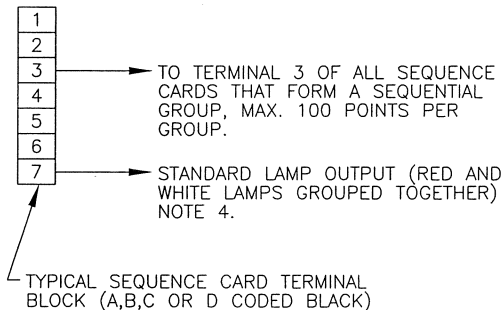
RELAY CONTACTS RATED 4 AMPS AT 250V AC OR 5 AMPS AT 28V DC OR 120V AC AND 0.5 AMP AT 125V DC RESISTIVE LOAD.

NT2-24D AUDIBLE DEVICE WIRING

DIAGRAM SHOWS NOVATONE HORN WITH P1 TERMINAL BLOCK ON P.C. BOARD ATTACHED TO HORN (REF. DWG. 57100-48) FOR EARLIER VERSIONS WITH PIGTAIL LEADS, CONNECT BLACK TO OV, RED TO +24 AND BLUE TO FLASHER TERMINAL (REF. DWG. 57100-44).



TERMINAL GROUPING DIAGRAM



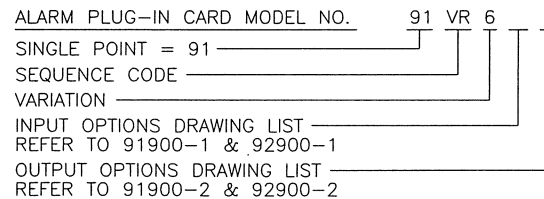
OPERATIONAL SEQUENCE "VSRRS"

INPUT STATUS	FIRST VISUAL (RED)	SUBSEQUENT VISUAL (WHITE)	ALARM AUDIBLE	RETURN AUDIBLE
1st ALARM OR TEST	FAST FLASH	-----	ON	OFF
SUBSEQUENT ALARM	-----	FAST FLASH	ON	OFF
ACKNOWLEDGE *	STEADY-ON	STEADY-ON	OFF	OFF
RETURN TO NORMAL	SLOW FLASH	SLOW FLASH	OFF	ON
RETURN ACKNOWLEDGE	SLOW FLASH	SLOW FLASH	OFF	OFF
FIIRST RESET *	OFF	SLOW FLASH	OFF	OFF
RESET	OFF	OFF	OFF	OFF

* FIRST RESET MAY BE USED ANY TIME AFTER ACKNOWLEDGE, UNLESS THE FIRST OUT POINT HAS RETURNED TO NORMAL CAUSING A RETURN AUDIBLE. AFTER FIRST RESET, THE FIRST OUT POINT REVERTS TO SUBSEQUENT POINT STATUS (WHITE).

NOTES:

- IF A NEW ALARM OCCURS WHILE TESTING, POINT WILL INDICATE ALARM CONDITION (RE-ALARM) AFTER ACKNOWLEDGE PUSHBUTTON IS OPERATED.
- POINT WILL INDICATE ALARM WHEN TEST PUSHBUTTON IS OPERATED IF THE VISUAL INDICATOR IS OFF OR STEADY-ON.
- IF POINT REALARMS WHILE SLOW FLASHING (RETURNED TO NORMAL) POINT REVERTS TO ALARM STATUS.
- WHEN OPTION "1VT" IS REQUESTED FIRST VISUAL IS ACCESSIBLE ON TERMINAL #6 SUBSEQUENT VISUAL IS ACCESSIBLE ON TERMINAL #7. WHEN THIS OPTION IS SPECIFIED, TERMINAL #6 CANNOT BE USED FOR AUXILIARY OUTPUTS.
- A SINGLE AUDIBLE DEVICE MAY BE USED BY CONNECTING TERMINALS 6 & 7 OF THE FLASHER POSITION TOGETHER.



REV	ECN NO.	BY	APPD	DATE	MATERIAL:
00	6781-04	DMW	ARF	02/18/81	FINISH:
01	6783-38	WW	RAS	10/02/81	USED ON/REF. DWG
02	8300-39	AK	AHD	11/19/82	91VR*
03	8700-42	AK	JWK	05/19/83	9*LA*
04	9090-13	TA	AHD	10/02/84	
05	9431-03	IR	AHD	04/19/88	
06	7099-74	SK	PG	06/06/89	
07	11872	SK	MZ	6/15/01	90450-VR6-1-07-01.dwg © 1981

TOL. UNLESS SPECIFIED
INCHES .X = .015 .XX = .010 .XXX = .005
MILLIMETERS X.0 = 1.0 0.X = 0.4 0.XX = 0.1
ANGLES ±0'30'
SCALE INCH (MM)
NONE

1725 WESTERN DRIVE, WEST CHICAGO, IL., 60185, U.S.A.
PHONE: 1-630-231-5900 FAX: 1-630-231-4502

PANALARM

DWN. BY DMW / SK
APPD/DATE ARF 02/18/81
THIRD ANGLE PROJECTION

CUSTOMER WIRING DIAGRAM AND SEQUENCE 'VSRRS' INFORMATION FOR SERIES 90

SHEET 1 OF 1 DWG. NO. 90450-VR6-1 -B-