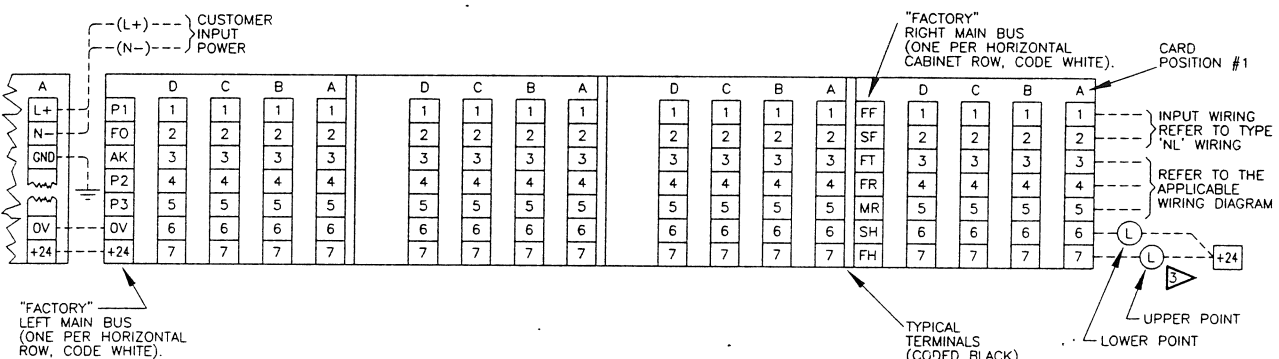
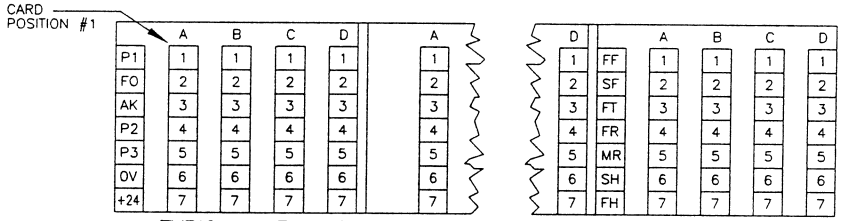


TYPICAL FRONT VIEW  
(1 HIGH X 4 WIDE MODULE ARRANGEMENT SHOWN)

REMOTE (90P2\*) POWER SUPPLY  
UNIT WIRING SHOWN



TYPICAL VIEW OF REAR TERMINAL ARRANGEMENT



TYPICAL VIEW OF FRONT ACCESS TERMINAL ARRANGEMENT

NOTES:

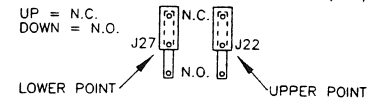
1. FLASHER IS NORMALLY REMOTE MOUNTED. IF FLASHER IS INTEGRAL TO CABINET, IT WILL BE LOCATED IN LOWER RIGHT MODULE, SLOT D. CAPACITY IS 300 POINTS.
2. IF ROW EXCEEDS 7 WIDE, TOTAL WATTS PER ROW MUST BE CALCULATED, AND MUST NOT EXCEED 182 WATTS. NOTE THAT DUE TO HEAVY CURRENT REQUIREMENTS FOR THIS CONFIGURATION, POWER SUPPLY LOADING MUST BE ACCURATELY CALCULATED.

A UPPER	A LOWER
B UPPER	B LOWER
C UPPER	C LOWER
POSITION D NOT USED	

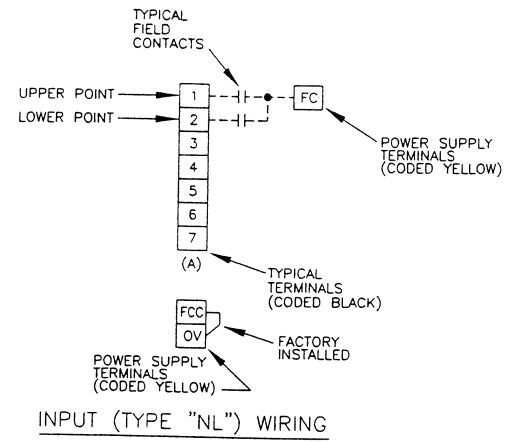
CARD POSITION VS. WINDOW LOCATION, FRONT VIEW

3. TOTAL CURRENT FOR COMBINED REMOTE AND INTEGRAL LAMPS NOT TO EXCEED 320mA PER POINT AT 24VDC. REMOTE LAMP OUTPUT IS NOT AVAILABLE WHEN TERMINALS "6" AND "7" IS USED FOR ANOTHER FUNCTION.

4. USE NUMBER 85 LAMP (PANALARM P/N 430039) IN LAMP BOX. NOMINAL CURRENT IS 40mA AT 24V.
5. TYPICAL CARD WITH REMOVABLE JUMPER (N.O./N.C.) SHOWN IN POSITION N.C. UP = N.C. DOWN = N.O.



6. DASHED LINES INDICATE CUSTOMER FIELD WIRING.



REV	ECN NO.	BY	APPD	DATE	MATERIAL:
00	9065-01	TA	AHD	05/06/85	FINISH:
01	9185-10	MR	RCV	08/02/85	USED ON/REF. DWG
02	9386-04	JT	RCV	04/25/86	
03	9300-41	MR	RCV	09/04/86	
04	9550	LJ	PG	06/04/87	
05	11872	SK	MR	6/15/01	

TOL. UNLESS SPECIFIED  
 INCHES  
 .X = .015  
 .XX = .010  
 .XXX = .005  
 MILLIMETERS  
 X.0 = 1.0  
 0.X = 0.4  
 0.XX = 0.1  
 ANGLES ±0°30'  
 SCALE INCH (MM)  
 NONE

**PANALARM** 1725 WESTERN DRIVE, WEST CHICAGO, IL., 60185, U.S.A.  
 PHONE: 1-630-231-5900 FAX: 1-630-231-4502

OWN. BY TA / SK  
 APPD/DATE AHD 05/06/85  
 THIRD ANGLE PROJECTION

TERMINAL ARRANGEMENT OF 94 STYLE MODULE  
 (4 TERMINAL BLOCKS PER MODULE) (WITH 96LA LAMP BOX)  
 WITH (3) 92\* CARDS(S) (2 POINTS PER CARD) USING TYPE "NL" INPUTS

SHEET 1 OF 1      DWG. NO. 94400-26-1      -B-